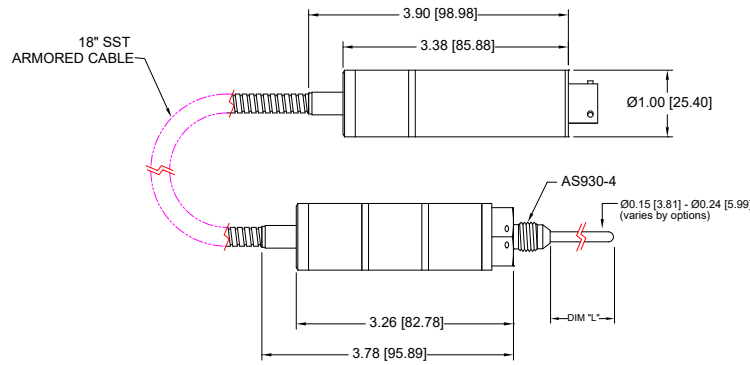




MODEL 7730
DUAL CRYOGENIC PRESSURE & TEMPERATURE TRANSDUCER



STANDARD WIRING

PIN	VDC	4-20mA
A/1	+EXC	+EXC/SIG
B/2	+SIG	N/C
C/3	-SIG	N/C
D/4	-EXC	-EXC/SIG
E/5	N/C	N/C
F/6	N/C	N/C

L = 0.50 TO 7.00 INCH PROBE LENGTH

Standard configurations shown.
Please consult factory for other options.

PRODUCT OVERVIEW:

GP:50's 7730 cryogenic series provides pressure and temperature measurement in one device down to -320 °F (-196 °C). The remote mounted electronics offers a high level output of 4-20 mA, 0 to 5 Vdc or various digital protocols at high accuracies. 100 or 1,000 Ω platinum RTD is available as well as dual analog outputs.

FEATURES:

- Cryogenic service down to -320 °F (-196 °C)
- Isolated electronics provide 4-20 mA, 0-5 Vdc or digital outputs
- Remote electronics via stainless steel armored cable
- High accuracy, 0.3% RSS standard
- Lightweight, <10 oz. (0.2 kg)
- Hydrogen and LOX compatibility options available
- Platinum RTD

APPLICATIONS:

- Liquefied fuel pressures
- Manifolds, propulsion systems
- Military and defense programs
- Liquid gas custody transfer

OPTIONS:

- 0 to 5 Vdc, 0 to 10 Vdc or 4-20 mA output
- RS232, RS485 and Can outputs
- Custom probe lengths
- Zero and span adjustments
- Optional electrical connections
- High-temp version to +350 °F (+177 °C) (see Model 7780)
- Various MIL-SPECS available. Consult factory.

GP:50 MODEL 7730

REFERENCE SPECIFICATIONS

(Standard configurations shown, consult factory for other options)

ELECTRICAL	
Output Signal:	0 to 5 Vdc, 0 to 10 Vdc (3- and 4-wire isolated or non-isolated) and 4-20 mA
Temperature Output:	100 Ω wire platinum RTD standard, 1,000 Ω 2 wire platinum RTD optional
Excitation Voltage:	9 to 32 Vdc, 14-32 Vdc for 0-10V, and isolated output
Circuit Protection:	EMI/RFI, some options will affect EMR/RFI rating
Response Time:	Pressure: <4 ms Temperature: <2 seconds

MATERIALS OF CONSTRUCTION	
Wetted Parts:	17-4-PH SST (Inconel, Nitronic 50 or Monel available)
Housing:	316 Stainless Steel
Armored Cable:	Braided 316L

ACCURACY (BFSL): Hysteresis, Non-Linearity & Repeatability @ +70 °F)	
Static Accuracy:	Pressure: $\pm 0.2\% \text{ FSO}$, $\pm 0.10\% \text{ FSO}$ available Temperature: 3% FSO, 1% FSO optional
Zero/Span Balance:	$\pm 1.0\% \text{ FSO}$

Calibration:	NIST Traceable Cert
Workmanship:	IPC-A-610 Soldering
Quality System:	ISO 9001

Options may affect specifications.
Please consult factory for your specific needs.

ALCYON

ÉLECTRONIQUE

Tel : +33 (0) 1 34 94 77 00

<https://alcyonelectronique.fr/>

commercial@alcyonelectronique.fr

© 2014 GP:50 NY Ltd. | 2770 Long Rd, Grand Island, NY 14072 USA
Tel: +1.716.773.9300 Email: sales@gp50.com Web: www.gp50.com

MECHANICAL	
Process Connection:	AS930-4 pressure port
Electrical Connection:	MIL PTIH-10-6P standard, options available
Probe Length (Temp):	0.75" to 7" available
Proof Pressure:	1.5X pressure range
Burst Pressure:	2X pressure range
Approximate Weight:	<10 oz. (0.2 kg)

PRESSURE RANGES	
Standard Ranges:	0 to 300 thru 0 to 6K PSIA, PSIS (21 thru 413 BAR)
Consult factory for ranges <300 or >6,000 PSIA, PSIS	

TEMPERATURE RANGES	
-320°F to +70 °F (-200 °C to +20 °C)	

THERMAL SPECIFICATIONS	
Operating Range:	(Ambient) -40 °F to +250 °F (-40 °C to +121 °C) (Process) -320 °F to +265 °F (-196 °C to +129 °C)
Compensated Range:	-320 °F to +70 °F (-196 °C to +21.1 °C)
Thermal Error:	Zero: $\pm 1.0\% \text{ FSO}/100 \text{ }^\circ\text{F}$ Span: $\pm 2.0\% \text{ FSO}/100 \text{ }^\circ\text{F}$



All specifications are for reference purposes only. In the interests of continuous product improvement, all specifications are subject to change without notice. Please contact GP:50 for assistance with your application.