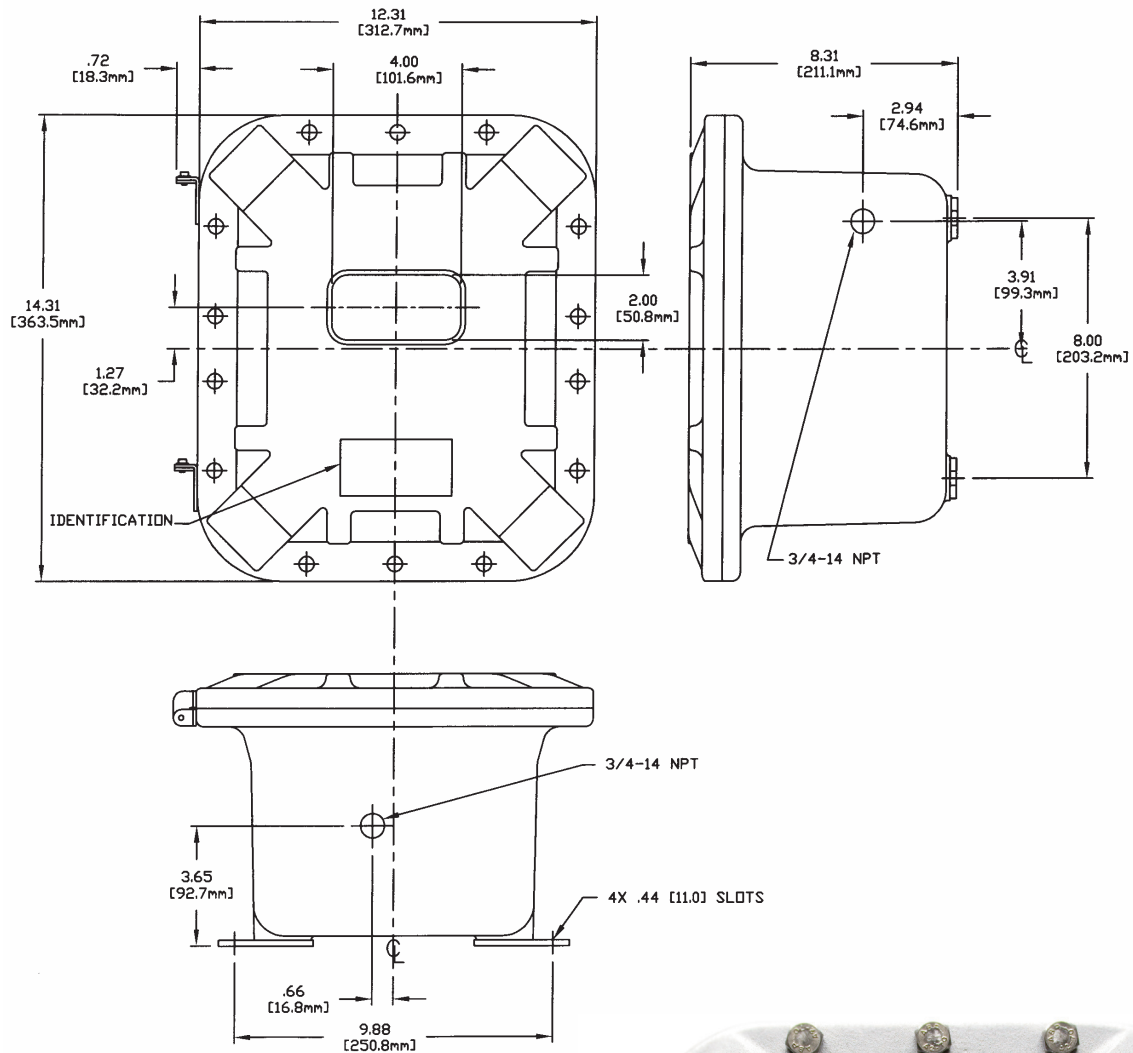


## TACHTROL Enclosure Options

### T77610-70 / T77630-70



### EXPLOSION PROOF

UL/CSA for Hazardous Locations

Class 1, Groups B, C & D

Class II, Groups E, F & G

Also Class I, Zone 1, Groups IIB, H2, IIA

### ATEX

0102 EX II 2 G

For use in Zone 1 Groups

IIA, IIB & IIB+H2 T6 or T5,

IP56 hazardous locations

