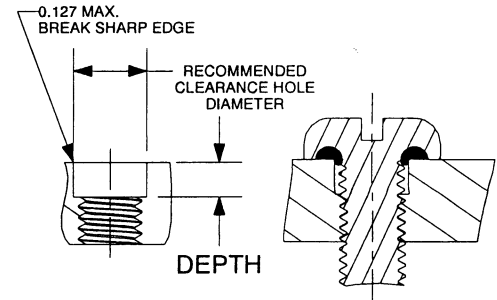


THREAD SIZE	C		D max	RECOM. CLEAR. HOLE		DEPTH	
	min.	max.		min.	max.	min.	max.
M2x0.4	3.94	4.24	1.37	2.31	2.41	0.80	1.20
M2x0.45	5.21	5.56	1.73	2.93	3.03	0.90	1.35
M3x0.5	5.87	6.22	1.91	3.55	3.65	1.00	1.50
M3.5X0.6	7.14	7.52	2.26	3.97	4.10	1.20	1.80
M4x0.7	7.77	8.18	2.44	4.39	4.54	1.40	2.10
M5x0.8	9.20	9.70	3.05	5.56	5.67	1.60	2.40
M6x1.0	12.01	12.50	3.73	6.73	6.83	2.00	3.00
M8x1.25	15.09	15.62	4.52	8.45	8.55	2.50	3.75
M10x1.5	18.80	19.69	5.59	10.53	10.64	3.00	4.50
M12x1.75	24.51	25.27	7.11	12.79	12.90	3.50	5.25

TYPICAL CLEARANCE HOLE DETAIL



STANDARD SPECIFICATIONS & COMMON OPTIONS (HOW TO ORDER)

STD. SCREW MATERIAL: TYPE 18/8 STAINLESS STEEL PER DFARS (OTHER MATERIALS AVAILABLE)
 STD. SCREW FINISH: NATURAL (PASSIVATED PER AMS2700 UNLESS OTHERWISE SPECIFIED)
 STD. O-RING MATERIAL: SILICONE RUBBER (SEE TABLE FOR O-RING OPTIONS)
 REACH, RoHS, CMRT, PROP 65 COMPLIANT.

SAMPLE CATALOG NO.			SM2X8MM-2701-BLKOX			AVAILABLE O-RING MATERIALS			COMMON OPTIONS	
SCREW TYPE	SM	PAN HEAD WITH SLOTTED RECESS	Compound Suffix	Material	Service Temp.	SUFFIX	DESCRIPTION			
THREAD	2	ENTER BASIC THREAD SIZE	-2701	Silicone Rubber	-150° F to 500° F -101° C to 260° C	-BLKOX	BLACK OXIDE PER MIL-C-13924, CLASS 4			
	X		-2615	FluoroSilicone Rubber	-78° F to 450° F -61° C to 232° C	-NY	LOCKING NYLON PELLET			
LENGTH	8	ENTER LENGTH	-5701	Viton A	-20° F to 400° F -29° C to 204° C	-LY	LOCKING NYLON STRIP			
O-RING SUFFIX	-2701	ENTER FROM TABLE	-4601	Buna N (NBR)	-65° F to 250° F -54° C to 121° C	-TP	LOCKING NYLON STD. PATCH			
OPTIONS	-BLKOX	ENTER FROM TABLE	-3701	Neoprene (EPR)	-65° F to 300° F -54° C to 149° C	-HTP	HIGH TEMP. LOCKING NYLON PATCH			
			-7601	Ethylene Propylene (EPDM)	-65° F to 300° F -54° C to 149° C					

REV.	DESCRIPTION	DATE
J	ECO-18-0018: ADD COLUMN FOR MINIMUM HEAD DIAMETER DWN: DAN LAW CHKD: FJK/LP 01/04/20	01.03.20
I	ADDED "PER DFARS" FOR THE SCREW MATERIAL S. GOK	07.02.09
H	NEW DRAWING FORMAT S. GOK	01.21.09
G	CHANGED TABLE, ADDED M2.5, M3.5, M5, M8, M10, M12 S. GOK	09.09.08

<p>TOLERANCES UNLESS OTHERWISE NOTED .X ±0.1 .XXX ±0.005 .XX ±0.01 < ±1.0° FOR RUBBER PORTION ONLY: RMA "A3" COMMERCIAL TOLERANCE: PER ISO 1580 ALL DIMENSIONS IN MILLIMETERS MATERIAL & FINISH: SEE SPECIFICATIONS & COMMON OPTIONS</p>	<p>TITLE: SEELSKREW®, METRIC PAN HEAD w/ SLOTTED DRIVE</p>	<p>ENG.</p>	
		<p>DWN. J. PALUMBO</p>	<p>CHKD.</p>
<p>SCALE NTS</p>		<p>DWG. NO. SM-0000-00-00</p>	

THIS DRAWING IS THE PROPERTY OF APM HEXSEAL CORPORATION AND INCLUDES PROPRIETARY INFORMATION.
 THIS DRAWING IS NOT TO BE COPIED OR USED WITHOUT THE WRITTEN APPROVAL OF AN OFFICER OF APM HEXSEAL CORPORATION.