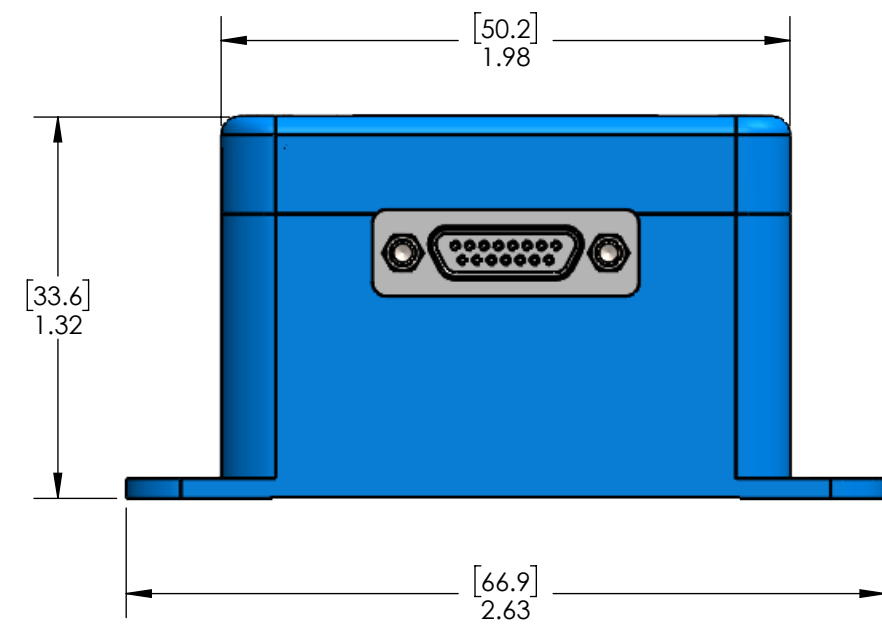
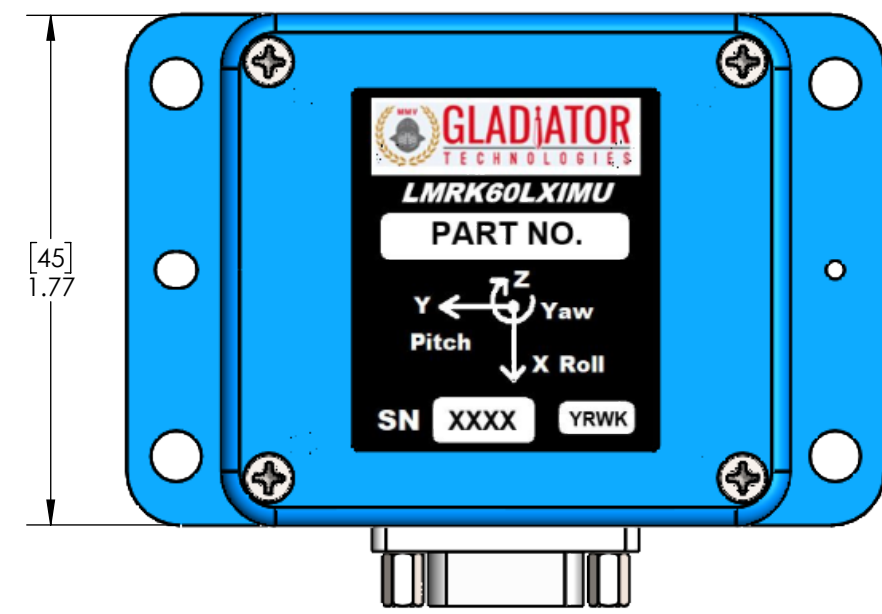


NOTES:

REVISIONS					
ZONE	ECN	REV.	DESCRIPTION	DATE	APPROVED



THIS DOCUMENT IS AN UNPUBLISHED WORK. COPYRIGHT 2019 GLADIATOR TECHNOLOGIES ALL RIGHTS RESERVED.

THIS DOCUMENT AND ALL INFORMATION AND EXPRESSION CONTAINED HEREIN ARE THE PROPERTY OF GLADIATOR TECHNOLOGIES AND ARE PROVIDED TO THE RECIPIENT IN CONFIDENCE ON A "NEED TO KNOW" BASIS. YOUR USE OF THIS DOCUMENT CONSTITUTES ACCEPTANCE OF THESE TERMS.

INFORMATION CONTAINED IN THIS DOCUMENT IS SUBJECT TO U.S. EXPORT LAWS AS DEFINED IN THE EXPORT ADMINISTRATION REGULATIONS (EAR) AND/OR THE INTERNATIONAL TRAFFIC AND ARMS REGULATIONS (ITAR). ILLEGAL EXPORT PROHIBITED.

Commercial Distribution Authorized per Commodity Classification ECCN7A994 (T-5 Countries Distribution Prohibited) Non-Technical Detail and is Non-ITAR

TYPED SIGNATURES CONSTITUTE APPROVAL. ACTUAL SIGNATURES ON FILE AT GLADIATOR TECHNOLOGIES IN SNOQUALMIE, WA



UNLESS OTHERWISE SPECIFIED			CONTRACT NO.			GLADIATOR TECHNOLOGIES SNOQUALMIE, WA		
ALL DIMENSIONS ARE IN INCHES AND () METRIC - TOLERANCES UNLESS SPECIFIED ARE:	TOL.	.XX	±.01	DRAWN	JTZ	XX/XX/XX	TITLE: LMRK60LXIMU BROCHURE VIEW	
		.XXX	±.002	CHECKED	KMN	XX/XX/XX		
FINISH:	INTERPRET DRAWING PER ASME Y14.100 BREAK ALL SHARP EDGES	ANGLE	±X	MECH. ENG.	JTZ	XX/XX/XX	SIZE:	DWG. NO.
				Q.A.	RCB	XX/XX/XX	B	XXXXXXXXXX
DASH NO.	NEXT ASSY DWG	APPLICATION	PRECIOUS METAL INDICATOR CODE A	APPD.	MKC	XX/XX/XX	SCALE:	REV. X
							CAGE CODE: 47L11	SHEET: 1 OF 1