

# ALCYON

ÉLECTRONIQUE

Tel : +33 (0) 1 34 94 77 00

<https://alcyonelectronique.fr/>

[commercial@alcyonelectronique.fr](mailto:commercial@alcyonelectronique.fr)

New Product



# A300D

Three Axis Accelerometer with VELOX™



The Next-Gen SX2, A300D three-axis MEMS accelerometer offers **the latest advancements in inertial technology**. It is equipped with low noise sensors, cutting edge VELOX™ processing and user configurable firmware with the most advanced features available. In addition, the A300D accelerometer comes factory calibrated over temperature and is conditioned to repeatably perform over demanding environments.

0.058 mg /√Hz  
VRW

±40 g  
Sensor Range

0.5 mg  
Bias Over Temperature

800Hz  
Bandwidth

0.6  
Cubic Inches

44μs  
Message Delay

**Low Noise. High Speed.**  
*Inertial Systems and Sensors*



**GLADIATOR**  
TECHNOLOGIES

# A300D Accelerometer

## Performance

Range	± 40 g
VRW	0.024 m/s/vHr / 0.058 mg/ vHz
Bias In-Run	0.015 mg
Bias Over Temperature	0.5 mg
One Year Bias Repeatability	100 µg
Vibration Rectification Error	250 µg/g <sup>2</sup>
Scale Factor Error	≤ 0.02%
Alignment	0.5 mrad

## Environment

Shock (Operating)	1000g ½ sine 1 ms powered on
Vibration (Operating)	10 gRMS (50 Hz to 2 kHz)
Calibrated Temp	-50°C to 85°C
Non-Operating Temp	-55°C to 125°C

## Interface

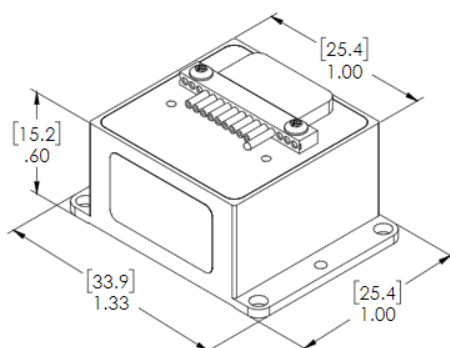
### VELOX™

Data Interface	RS-422/485
Data Rate	5 kHz
External Sync	8 kHz
Max Baud Rate	3.0 Mbaud
Max Bandwidth	800 Hz
Digital Message Delay	44 µs

## Electrical / Mechanical

Input Voltage	+5.0 V to +5.5 V Input (single sided)	
Power Consumption	275 mW Typical / 375 mW Maximum	
Mass	19.25 grams ±0.5	
Size	Metric: 2.54 x 2.54 x 1.52 = 9.81 cm <sup>3</sup>	US: 1.0 x 1.0 x 0.6 = 0.6in <sup>3</sup>

All performance parameters 1σ  
Specification subject to change without notice  
Rev. 22.08.08



Further Technical  
Information Available:

[sales@gladiatortechnologies.com](mailto:sales@gladiatortechnologies.com)

**NON ITAR**  
ECCN 7A001

**ALCYON**

ÉLECTRONIQUE

Tel : +33 (0) 1 34 94 77 00

<https://alcyonelectronique.fr/>

[commercial@alcyonelectronique.fr](mailto:commercial@alcyonelectronique.fr)



**GLADIATOR**  
TECHNOLOGIES

Gladiator Technologies  
8022 Bracken PI SE  
Snoqualmie, WA 98065, USA

425.363.4180

[www.gladiatortechnologies.com](http://www.gladiatortechnologies.com)  
[sales@gladiatortechnologies.com](mailto:sales@gladiatortechnologies.com)