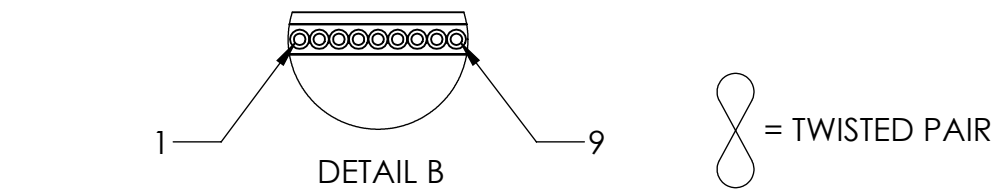
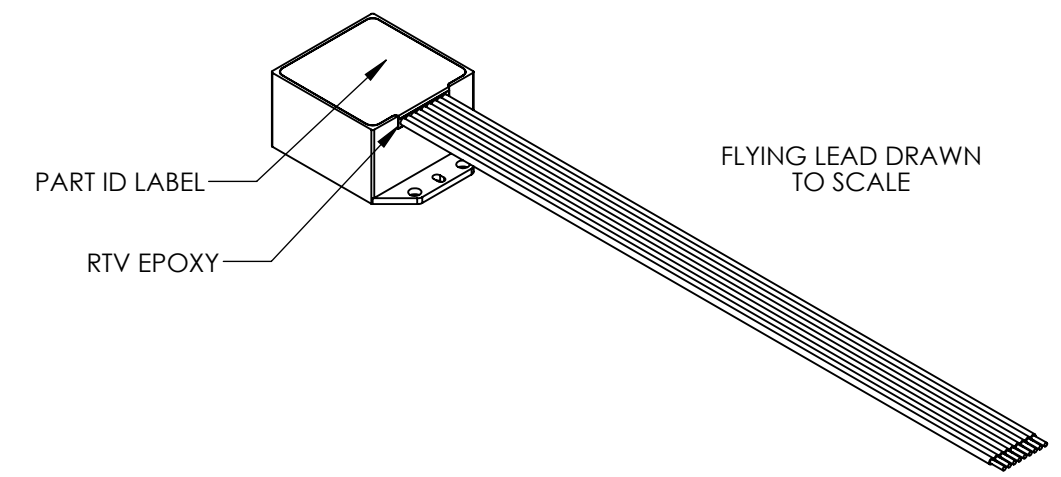
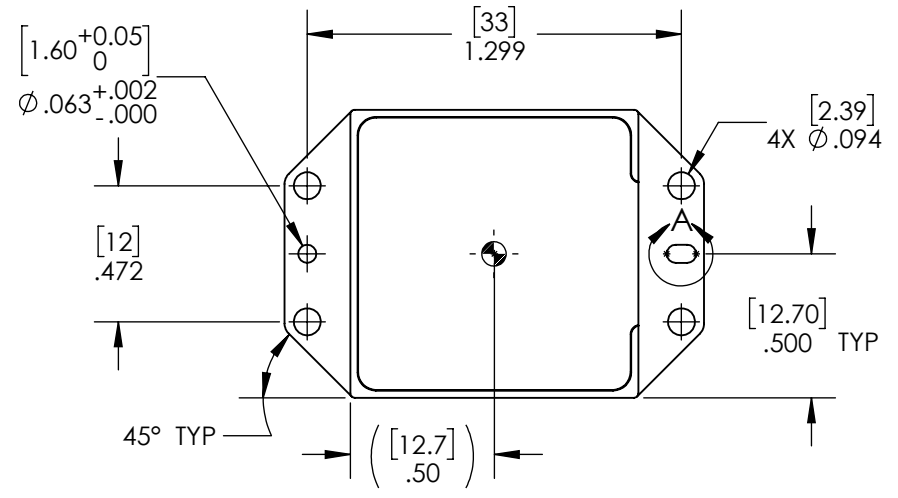
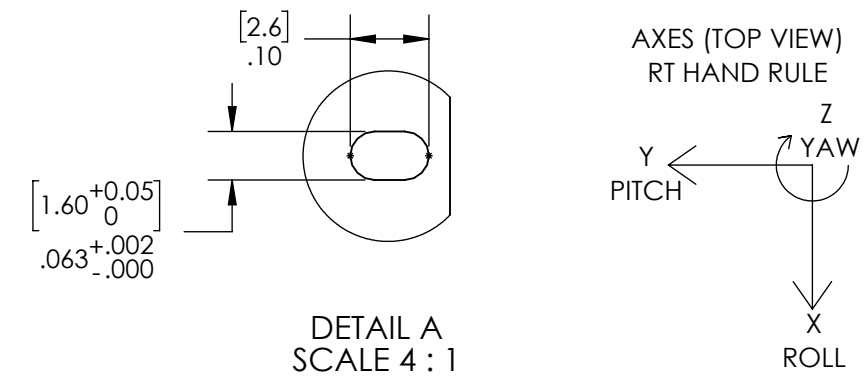


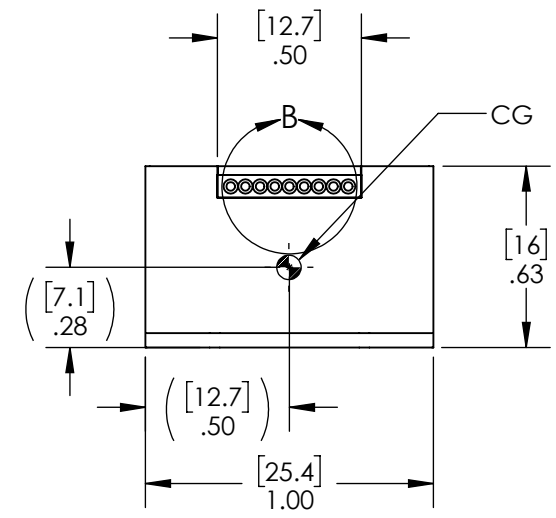
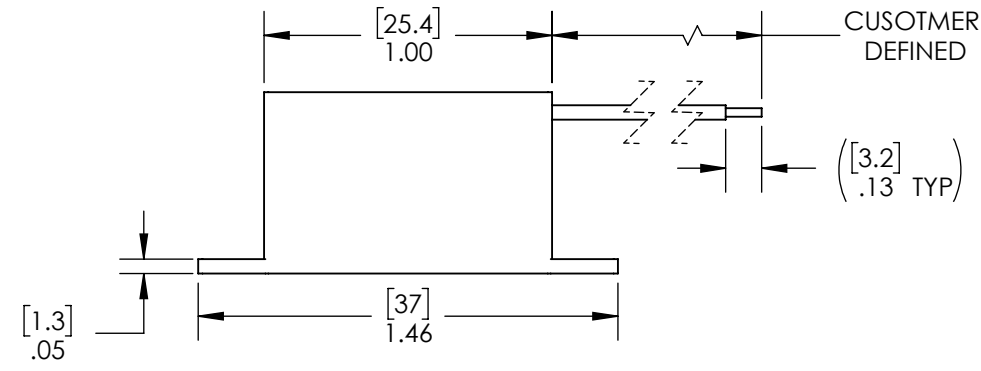
REVISIONS					
ZONE	ECN	REV.	DESCRIPTION	DATE	APPROVED
		NEW	ROLLED TO PRODUCTION FROM REV 8	09/11/2017	MKC

- NOTES:
- USE ESD PROTECTION WHEN HANDLING
 - PACKAGE USING ESD SENSITIVE BAG
 - POWER VOLTAGE RANGE +3.8V TO +5.5V
 - WEIGHT: <25g
 - FINAL FINISH: BLUE ANODIZE PER MIL-A-8625 TYPE II, CLASS II,
 - RTV EPOXY OVERMOLD
 - WIRES 26 AWG UNLESS OTHERWISE REQUESTED

- 8 STANDARD LENGTH OPTIONS:
- P18 - 18in FLYING LEAD
 - P36 - 36in FLYING LEAD



PIN NO	ASSIGNMENT	COLOR
1	RS-422/485 A (+)	BLACK
2	RS-422/485 B (-)	BROWN
3	POWER GROUND	RED
4	NOT CONNECTED	ORANGE
5	+3.8V TO +5.5V MAX INPUT POWER	YELLOW
6	EXTERNAL SYNC (2.5kHz)	GREEN
7	SIGNAL GROUND	BLUE
8	SELF TEST	PURPLE
9	CASE GROUND	GREY



THIS DOCUMENT IS AN UNPUBLISHED WORK. COPYRIGHT 2017 GLADIATOR TECHNOLOGIES ALL RIGHTS RESERVED.

THIS DOCUMENT AND ALL INFORMATION AND EXPRESSION CONTAINED HEREIN ARE THE PROPERTY OF GLADIATOR TECHNOLOGIES AND ARE PROVIDED TO THE RECIPIENT IN CONFIDENCE ON A "NEED TO KNOW" BASIS. YOUR USE OF THIS DOCUMENT CONSTITUTES ACCEPTANCE OF THESE TERMS.

INFORMATION CONTAINED IN THIS DOCUMENT IS SUBJECT TO U.S. EXPORT LAWS AS DEFINED IN THE EXPORT ADMINISTRATION REGULATIONS (EAR) AND/OR THE INTERNATIONAL TRAFFIC AND ARMS REGULATIONS (ITAR). ILLEGAL EXPORT PROHIBITED.

Commercial Distribution Authorized per Commodity Classification ECCN7A994 (T-5 Countries Distribution Prohibited) Non-Technical Detail and is Non-ITAR

TYPED SIGNATURES CONSTITUTE APPROVAL. ACTUAL SIGNATURES ON FILE AT GLADIATOR TECHNOLOGIES IN SNOQUALMIE, WA



UNLESS OTHERWISE SPECIFIED		CONTRACT NO.		GLADIATOR TECHNOLOGIES SNOQUALMIE, WA	
ALL DIMENSIONS ARE IN INCHES AND () METRIC - TOLERANCES UNLESS SPECIFIED ARE:	TOL.	.XX	±.01	DRAWN	JTZ 10/28/16
		.XXX	±.002	CHECKED	MEA 09/11/17
FINISH: SEE NOTES	INTERPRET DRAWING PER ASME Y14.100 BREAK ALL SHARP EDGES	ANGLE ±X		MECH. ENG.	JTZ 10/28/16
				Q.A.	RCB 09/11/17
				DSGN. ENG.	RHH 09/11/17
				APPD.	MKC 09/11/17
DASH NO.	NEXT ASSY DWG	TOP LEVEL APPLICATION	PRECIOUS METAL INDICATOR CODE A	SCALE:	GLADIATOR TECHNOLOGIES SNOQUALMIE, WA
				SIZE: B	DWG. NO. 990-LMRK007-IMU-PXX
				REV. NEW	CAGE CODE: 47L11
				SHEET: 1 OF 1	