



## TrueTilt™ Single Axis Narrow Range Electrolytic Tilt Sensor

Part Number: 0703-0711-99

### Operating Specifications

Operating range	±3°
Linear Range	±1°
Axes of Measurement	1
Linearity (±1°)	≤3%
Repeatability	±0.001° [3.6 arcseconds]
Resolution	≤0.0003° [1 arcsecond]
Null Offset	±0.25°
Long Term Stability/Drift	≤0.001° [3.6 arcseconds]
Operating Temperature	-20 °C to 50 °C
Storage Temperature	-55 °C to 125 °C
Null Impedance	50 kΩ
Time Constant (63.2% of final output)	≤1 s
Materials	Magnetic metals
Maximum Current at Null	0.2 mA (continuous)

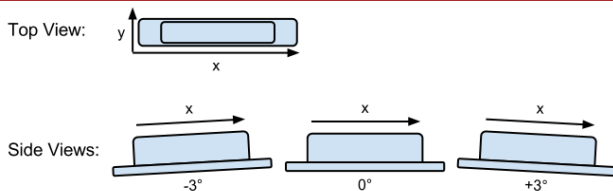
### Physical Characteristics

Length	1.598" [40.6 mm]
Width	0.300" [7.6 mm]
Height	0.335" [8.5 mm]
Hole Center	1.340" [34.0 mm]
Hole Diameter	0.145" [3.7 mm]
Lead Spacing (center to center)	0.400" [10.2 mm]
Lead Diameter	0.020" [0.5 mm]
Lead Length	0.198" [5.0 mm]
Weight	4 g

### Benefits

- Exceptionally high accuracy, resolution, and repeatability
- Extremely long working life
- Minimal drift compared to MEMS devices
- Superior performance in industrial applications
- Excellent customer service and support
- Manufactured in the United States of America

### Functional Diagram



### Description

The 0703-0711-99 TrueTilt™ narrow range electrolytic tilt sensor has a robust, all metal construction providing durability while maintaining superior tolerances and sensor to sensor performance. It is an economical tilt sensor ideal for a versatile range of applications in many markets.

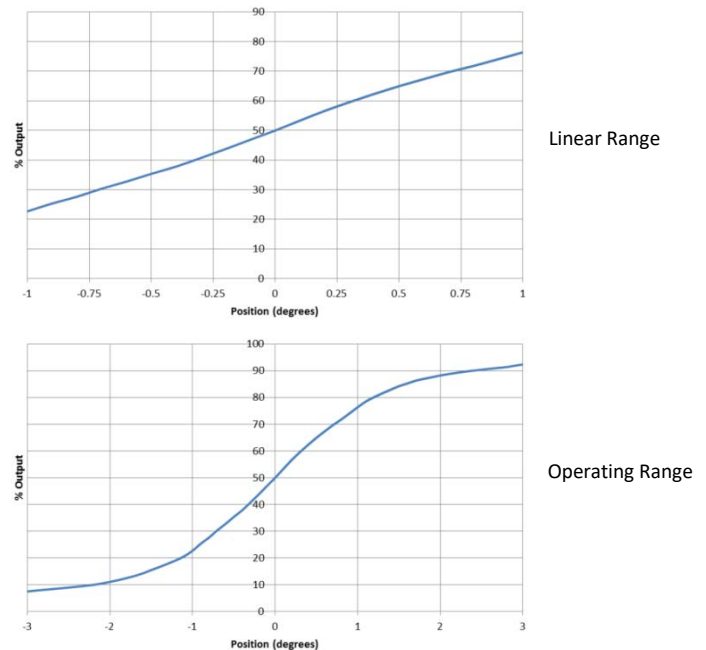
This is a passive sensor that requires signal conditioning electronics to provide an output. For a list of compatible signal conditioners, see the Related Products section on page 2.

### Applications

- Geotechnical and structural monitoring
- Laser leveling
- Construction machinery and equipment
- Mobile satellite positioning
- Railway monitoring

View a full list of applications for our sensors on our website at [www.frederickscompany.com](http://www.frederickscompany.com).

### Linear and Operating Range Behavior



### Certifications and Ratings

- RoHS Compliant

## TrueTilt™ Single Axis Narrow Range Electrolytic Tilt Sensor

Part Number: 0703-0711-99



### Notes

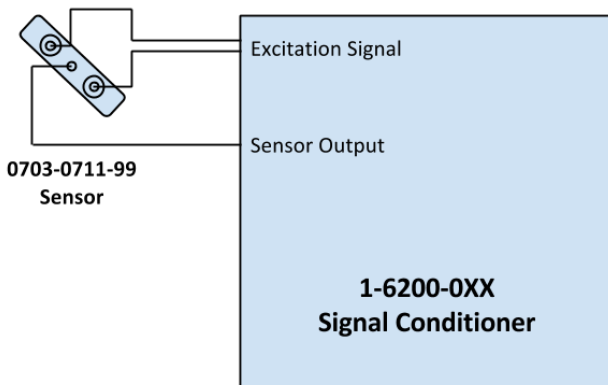
When using an excitation circuit not designed by The Fredericks Company, ensure that no direct current passes through the sensor. Direct current will lead to sensor damage, output drift, and general instability. For a description of hardware and software design for this sensor, see [application note AN1000](#).

The 0703-0711-99 and all sensors in the TrueTilt™ series must be mounted horizontally (parallel to the surface of the earth and perpendicular to the force of gravity). For best performance, isolate the sensor from vibrations when mounting it.

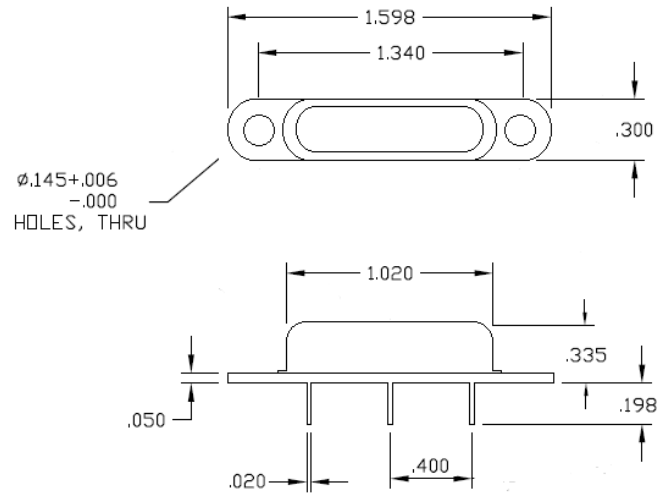
Further information on electrolytic tilt sensor basics is provided on our website at [www.frederickscompany.com](http://www.frederickscompany.com).

### Test Circuit

All data was acquired with a Fredericks Company Dual Axis 6200 Series Signal Conditioner in single axis mode at 20° C. A general schematic of our signal conditioners is provided below. Further information on sensor excitation and excitation circuitry is provided on The Fredericks Company website and in the application note AN1000.



### Dimensional Drawings



### Contact Us

The Fredericks Company  
 2400 Philmont Avenue  
 Huntingdon Valley, PA 19006  
 tel: +1 215 947 2500  
 fax: +1 215 947 7464  
 email: [sales@frederickscompany.com](mailto:sales@frederickscompany.com)  
 web: [www.frederickscompany.com](http://www.frederickscompany.com)

Disclaimer: Specifications subject to change without notice. The Fredericks Company assumes no responsibility for inaccuracies in product specifications or any liability arising from product use.  
 © 2017 The Fredericks Company

### Related Products

#### Signal Conditioners (PCB, no sensors)

Part Number	Description
1-6200-005	SPI interface
1-6200-006	RS-232 interface
1-6200-007	Analog/PWM interface
1-6200-008	RS-485 interface
1-6200-012	Analog/RS-232 interface

Visit our website at [www.frederickscompany.com](http://www.frederickscompany.com) for a full list of products.

**ALCYON**  
 ÉLECTRONIQUE  
 Tel : +33 (0) 1 34 94 77 00  
<https://alcyonelectronique.fr/>  
[commercial@alcyonelectronique.fr](mailto:commercial@alcyonelectronique.fr)