

DATI TECNICI

TECHNICAL DATA

series

SM158

STEP MOTOR 35S48B07 with 158 gearbox



- High Torque
- Low noise
- Small size

Contact Commercial Secteur OUEST :

frederic.piteux@alcyonelectronique.fr

Direct : +33 (0)134 947 710 - Mob : +33 (0) 622 920 278

Contact Commercial Secteur EST :

didier.simon@alcyonelectronique.fr

Direct : +33 (0)134 947 711 - Mob : +33 (0) 680 923 780

ALCYON

ÉLECTRONIQUE

RD 11 – BP20 – 78650 Beynes – France

Tel : +33 (0) 134 947 700 - Fax : +33 (0) 134 875 340

www.alcyonelectronique.fr

TECHNICAL DATA

Motor Step Angle	7,5°	full step	Nominal voltage	12V
Number of Phase	2	bipolar	Voltage driver	3,75 - 36V
Insulation resistance	100 MΩ	500Vdc	Max axial/radial shaft load	10N/50N
Insulation class	E		Max allow torque	100 Ncm
Coil Resistance/Induction	7,5Ω/10mH		Max current (continuous)	250 mA
Max temp. (motor housing)	60 °C		Max current (non-contin.)	500 mA
Racc. temp (motor housing)	35-45 °C		Operating temp.	-20 °C/+65 °C

PART NUMBER	Ratio (x:1)	Length mm	Holding Torque mNm	Max Speed (ref.) RPM
SM158.35S.15	14,14	43,3	700	105
SM158.35S.30	29,75	43,3	1500	50
SM158.35S.75	76,84	45,8	1500	20
SM158.35S.100	94,37	45,8	1500	16
SM158.35S.200	198,5	48,3	1500	7
SM158.35S.250	243,8	48,3	1500	6
SM158.35S.510	512,85	51,3	1500	3
SM158.35S.630	629,82	51,3	1500	2

SM158

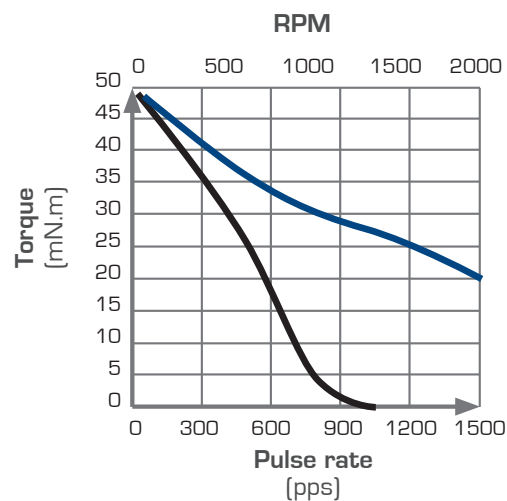
Motor Dynamic Torque Curves 24V/0,5A

Conditions: Bi-polar Constant Current Driver

Driver: AMIS 30522

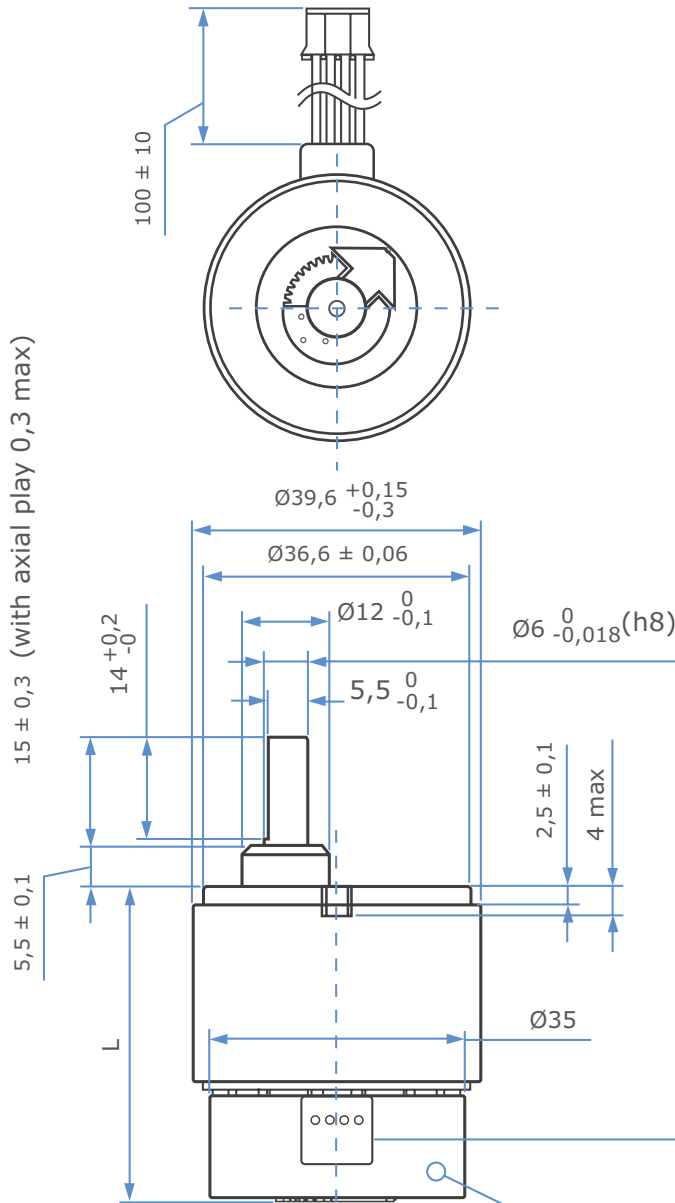
Mode: Full Step

— Pull in torque — Pull out torque



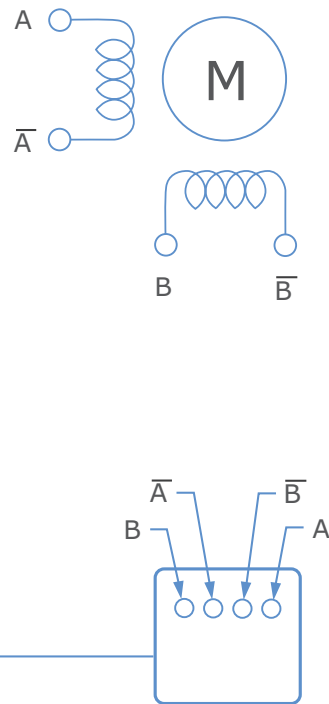
SM158

Mechanical dimensions

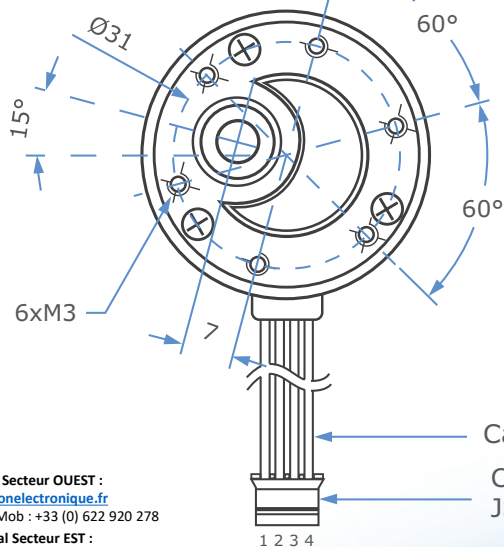


15 ± 0,3 (with axial play 0,3 max)

SEQUENCE EXCITATION						
PIN	COLOUR	CCW ← → CW (FROM OUTPUT SHAFT SIDE)				PHASE
			+	+		
1	YELLOW		+	+		A
2	ORANGE	+			+	\bar{A}
3	BROWN	+	+		+	\bar{B}
4	BLACK			+	+	B



Step motor: 35S48B0714



Ratio		L (mm)
15:1	(14,14:1)	43,3
30:1	(29,75:1)	43,3
75:1	(76,85:1)	45,8
100:1	(94,37:1)	45,8
200:1	(198,52:1)	48,3
250:1	(243,80:1)	48,3
510:1	(512,85:1)	51,3
630:1	(629,82:1)	51,3

Cable AWG26 UL1061

Connector housing
JST PHR-4 (white)

1 2 3 4

Contact Commercial Secteur OUEST :

frederic.piteux@alcyonelectronique.fr

Direct : +33 (0)134 947 710 - Mob : +33 (0) 622 920 278

Contact Commercial Secteur EST :

didier.simon@alcyonelectronique.fr

Direct : +33 (0)134 947 711 - Mob : +33 (0) 680 923 780

ALCYON
ÉLECTRONIQUE

RD 11 - BP20 - 78650 Beynes - France

Tel : +33 (0) 134 947 700 - Fax : +33 (0) 134 875 340

www.alcyonelectronique.fr

micro
motors s.r.l.

Viale Piave, 80/82 - 23878 VERDERIO (LC) ITALY

Tel. 039.510611-499 - email: info@micromotors.eu

www.micromotors.eu