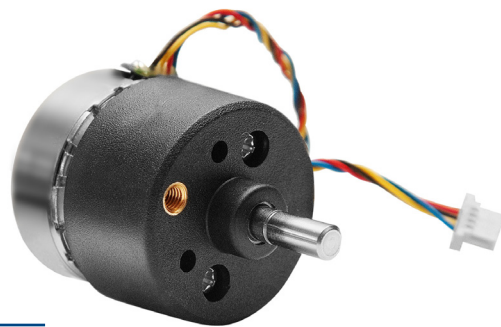


series

SM149

STEP MOTOR 25T48B23
with 149 gearbox



- High Torque
- Low noise
- Small size

ALCYON
ÉLECTRONIQUE

RD 11 - BP20 - 78650 BEYNES
Tel : +33 (0) 134 947 700
info@alcyonelectronique.fr
www.alcyonelectronique.fr

TECHNICAL DATA

Motor Step Angle	7,5°	full step	Nominal voltage	12V
Number of Phase	2	bipolar	Voltage driver	9,2 - 36V
Insulation resistance	100 MΩ	500Vdc	Max axial/radial shaft load	5N/10N
Insulation class	E		Max allow torque	20 Ncm
Coil Resistance/Induction	23Ω/9mH		Max current (continuous)	150 mA
Max temp. (motor housing)	60 °C		Max current (non-contin.)	400 mA
Racc. temp (motor housing)	35-45 °C		Operating temp.	-20 °C/+65 °C

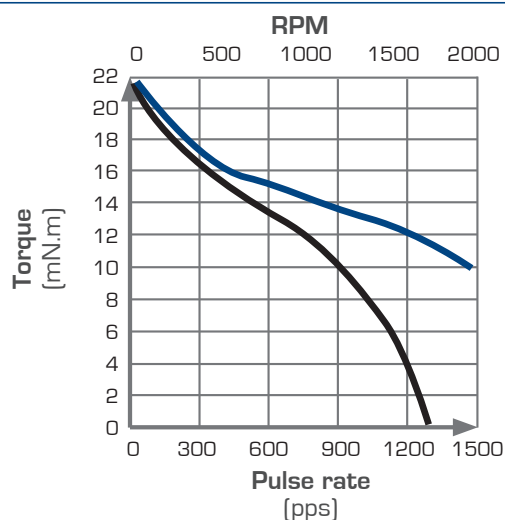
PART NUMBER	Ratio (x:1)	Length mm	Holding Torque mNm	Max Speed (ref.) RPM
SM149.25T.10	10	26	220	150
SM149.25T.21	20,8	26	400	72
SM149.25T.43	43,3	31	400	35
SM149.25T.90	90,3	31	400	17
SM149.25T.188	188	36	400	8
SM149.25T.392	391,8	36	400	4

SM149

Motor Dynamic Torque Curves 24V/0,4A

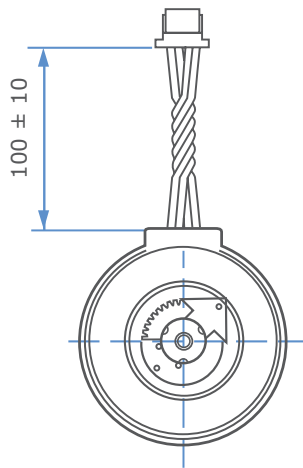
Conditions: Bi-polar Constant Current Driver
Driver: AMIS 30522
Mode: Full Step

— Pull in torque — Pull out torque



SM149

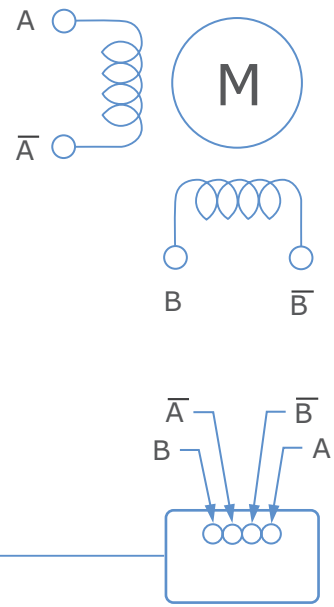
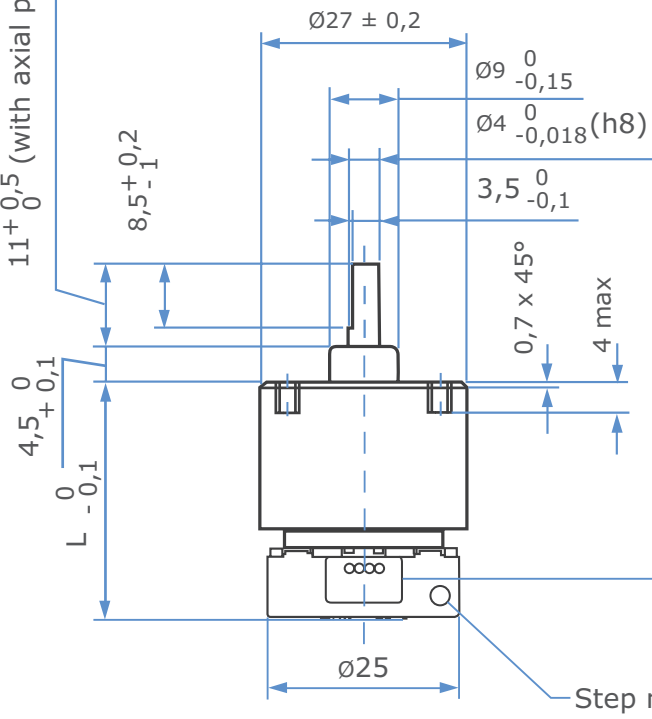
Mechanical dimensions



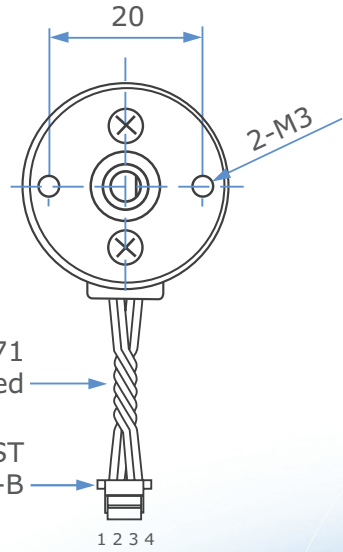
100 ± 10

SEQUENCE EXCITATION							
PIN	COLOUR	CCW ← → CW (FROM OUTPUT SHAFT SIDE)				PHASE	
		+	+	+	+		
1	RED	+			+	\bar{A}	
2	BLACK		+	+		A	
3	YELLOW	+	+			\bar{B}	
4	BLUE			+	+	B	

11 ± 0,5 (with axial play 0,3 max)



Step motor: 25T48B2301



Cable AWG30 UL1571
Twisted

Connector housing JST
SHR-04V-S-B

Ratio	L (mm)
10:1 (9,9826:1)	26
20,8:1 (20,7672:1)	26
43,3:1 (43,3274:1)	31
90,3:1 (90,2655:1)	31
188:1 (188,0531:1)	36
391,8:1 (391,7773:1)	36