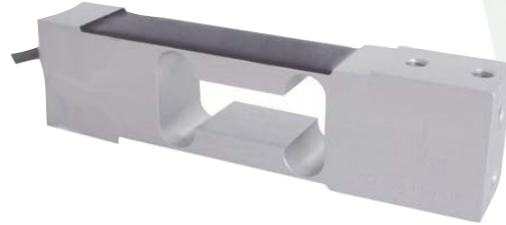


# Load Cell - AL6N Series

- Aluminium-Alloy IP65 single point load cell
- Colourless anodized
- Suitable for single or double load cell structured platform scales
- Maximum platform size: 350 x 400 mm

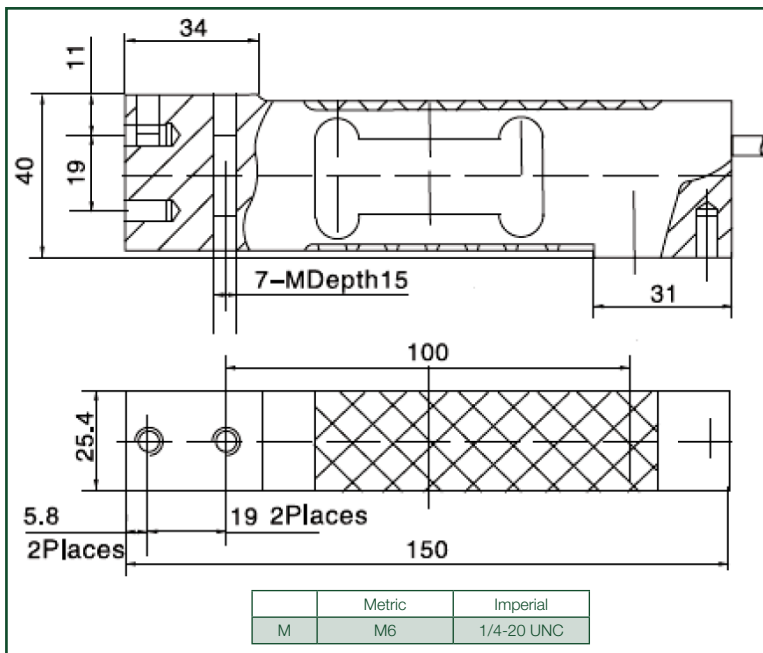
Capacity	Accuracy	Part-Number
3 kg	C3	AL6N-C3-3kg-3B6
5 kg	C3	AL6N-C3-5kg-3B6
8 kg	C3	AL6N-C3-8kg-3B6
10 kg	C3	AL6N-C3-10kg-3B6
15 kg	C3/C4	AL6N-Cx-15kg-3B6
20 kg	C3/C4	AL6N-Cx-20kg-3B6
30 kg	C3/C4	AL6N-Cx-30kg-3B6
50 kg	C3/C4	AL6N-Cx-50kg-3B6
75 kg	C3/C4	AL6N-Cx-75kg-3B6
100 kg	C3	AL6N-C3-100kg-3B6



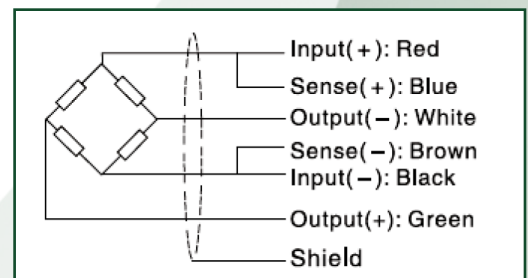
## Specification

Accuracy class		OIML R60 C3	OIML R60 C4
Output sensitivity (= FS)	mV/V	2.0 ± 0.002	
Maximum capacity (E <sub>max</sub> )	kg	3, 5, 8, 10, 15, 20, 30, 50, 75, 100	15, 20, 30, 50, 75
Maximum number of load cell intervals (n <sub>LC</sub> )		3000	4000
Ratio of minimum LC verification interval $Y = E_{max} / V_{min}$		12000	20000
Minimum Dead Load Output Return (Z = 1/2 * E <sub>max</sub> / DR)		4000	
Combined Error	%FS	± 0.0230	± 0.0175
Minimum dead load	kg	0	
Safe overload	of E <sub>max</sub>	150%	
Ultimate overload	of E <sub>max</sub>	300 %	
Zero balance	of FS	± 2.0 %	
Excitation, recommended voltage	V	5 ~ 12	
Excitation maximum	V	18	
Terminal resistance, input	Ω	409 ± 6	
Terminal resistance, output	Ω	350 ± 3	
Insulation impedance	MΩ	≥ 5000 ( at 50VDC )	
Temperature range, compensated	°C	-10 ~ +40	
Temperature range, operating	°C	-35 ~ +65	
Element material		Aluminium	
Recommended torque on fixation bolts	Nm	10	
Ingress Protection (according to EN 60529)		IP65	

## Outline dimensions in mm



## Wiring



- Adopt a shielded, 6 conductor cable and cable jacket is PVC
- Cable length: 3.0 +/- 0.05 mm
- Cable diameter: 5.0 +/- 0.02 mm
- Shield is not connected to body