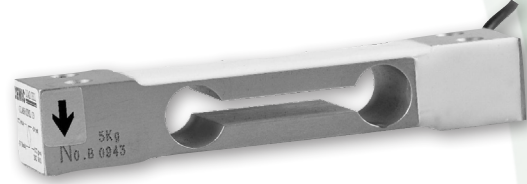


Load Cell - AL6D Series

- Aluminium-Alloy IP65 single point load cell
- Colourless anodized

- Suitable for pricing scales, bench scales etc.
- Maximum platform size: 250 x 350 mm

Capacity	Accuracy	Part-Number
2.5 kg	C3D1	AL6D-C3D-2.5kg-0.40B
3 kg	C3/C4/C5	AL6D-Cx-3kg-0.40B
5 kg	C3/C4/C5	AL6D-Cx-5kg-0.40B
6 kg	C3/C4/C5	AL6D-Cx-6kg-0.40B
8 kg	C3/C4/C5	AL6D-Cx-8kg-0.40B
10 kg	C3/C4/C5	AL6D-Cx-10kg-0.40B
15 kg	C3/C4/C5	AL6D-Cx-15kg-0.40B
20 kg	C3/C4/C5	AL6D-Cx-20kg-0.40B
30 kg	C3/C4/C5	AL6D-Cx-30kg-0.40B
35 kg	C3/C4/C5	AL6D-Cx-35kg-0.40B
40 kg	C3/C4/C5	AL6D-Cx-40kg-0.40B
50 kg	C3/C4/C5	AL6D-Cx-50kg-0.40B

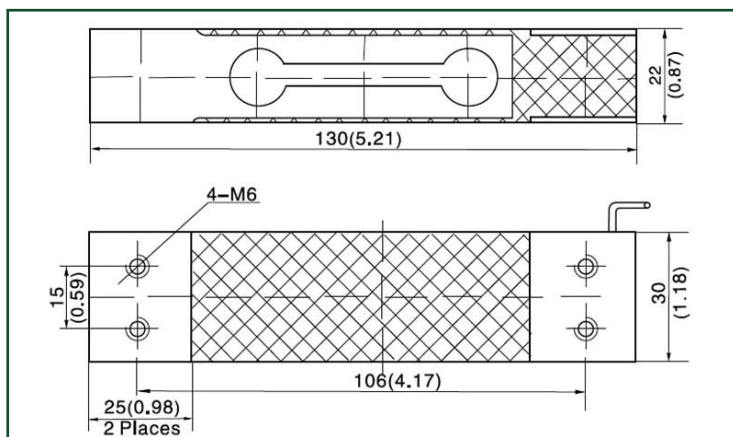


Specifications:

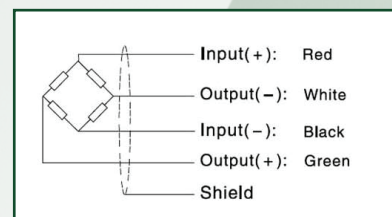
Accuracy class		C3D1	OIML R60 C3	OIML R60 C4	OIML R60 C5
Output sensitivity	mV/V	1.8 ± 0.2		2.0 ± 0.2	
Maximum capacity (E _{max})	kg	2.5		3, 5, 6, 8, 10, 15, 20, 30, 35, 40, 50	
Maximum number of load cell intervals (n _{LC})		3000	3000	4000	5000
Ratio of minimum LC verification interval $Y = E_{max} / v_{min}$		7000	10000	15000	20000
Ratio of minimum dead load output return $Z = E_{max} / 2 * DR$			3000	6000	7500
Combined Error	%FS	≤ ± 0.0200		≤ ± 0.0175	≤ ± 0.0140
Minimum dead load	kg			0	
Safe overload	of E _{max}			150 %	
Ultimate overload	of E _{max}			300 %	
Zero balance	of FS			≤ ± 2.0 %	
Excitation, recommended voltage	V			5 ~ 12	
Excitation maximum	V			18	
Terminal resistance, input	Ω			409 ± 6	
Terminal resistance, output	Ω			350 ± 3	
Insulation impedance	MΩ			≥ 5000 (at 50VDC)	
Temperature range, compensated	°C			-10 ~ +40	
Temperature range, operating	°C			-35 ~ +65	
Element material				Aluminium	
Recommended torque on fixation bolts	Nm	< 30kg: 6		≥30kg:10	
Ingress Protection (according to EN 60529)				IP65	

Note 1: 2.5kg is not OIML approved

Outline dimensions in mm



Wiring



- Adopt a shielded, 6 conductor cable, and cable jacket is PVC
- Cable length: 0.40m +/- 0.05m
- Cable diameter: 3.8 +/- 0.2 mm
- Shield is not connected to element
- Dimensions and specifications are subject to change without notice
- Installed screw request M6, 8.8 class, screw rinsed with oil