

Load Cell - AL6B Series

- Aluminium-Alloy IP65 single point load cell
- Colourless anodized
- Suitable for pricing scales, bench scales, etc.
- Maximum platform size: 200 x 200 mm

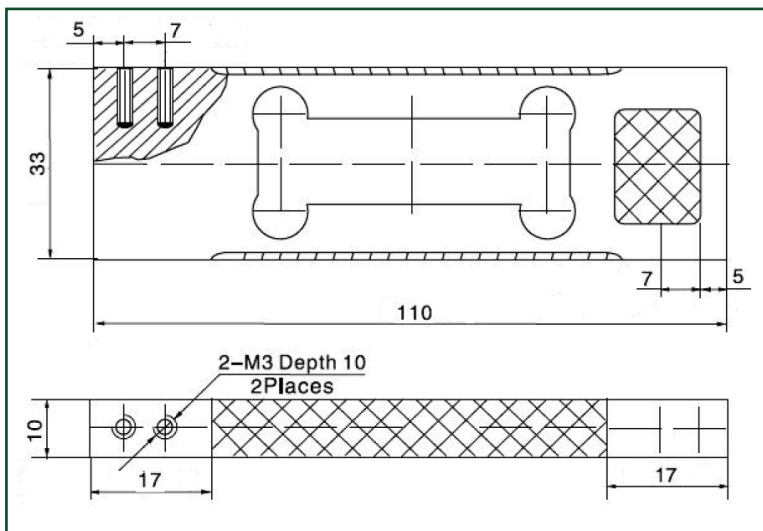


Capacity	Accuracy	Part-Number
0.3 kg	L/H	AL6B-L/H-0.3kg-0.4B
0.6 kg	L/H	AL6B-L/H-0.6kg-0.4B
1.0kg	L/H	AL6B-L/H-1.0kg-0.4B
1.2 kg	L/H	AL6B-L/H-1.2kg-0.4B
1.5 kg	L/H	AL6B-L/H-1.5kg-0.4B
3.0 kg	L/H	AL6B-L/H-3.0kg-0.4B

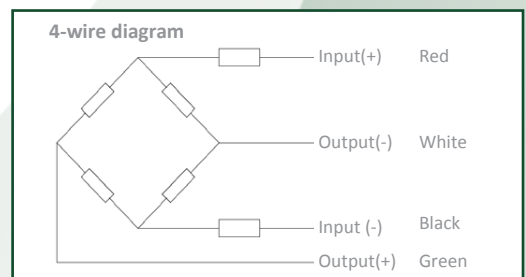
Specification

Accuracy class		L	H
Output sensitivity (= FS)	mV/V		0.9 ± 0.1
Maximum capacity (E _{max})	kg		0.3, 0.6, 1.0, 1.2, 1.5, 3
Linearity	%FS	≤ ± 0.015	≤ ± 0.012
Hysteresis	FS	≤ ± 0.015	≤ ± 0.012
Repeatability	%FS	≤ ± 0.015	≤ ± 0.012
Temperature effect on minimum dead load output	%FS/10°C	≤ ± 0.030	≤ ± 0.020
Creep error (2 minutes)	%FS	≤ ± 0.010	≤ ± 0.005
Eccentric loading error	%		≤ ± 0.0200
Minimum dead load	Of E _{max}		0%
Safe overload	Of E _{max}		120 %
Ultimate overload	Of E _{max}		150 %
Zero balance	of FS		< ± 2.0 %
Excitation, recommended voltage	V		5 ~ 12
Excitation maximum	V		18
Input resistance	Ω		406 ± 6
Output resistance	Ω		350 ± 3
Insulation resistance	MΩ		≥ 5000 (at 50VDC)
Compensated temperature	°C		-10...+40
Operating temperature	°C		-20...+50
Storage temperature	°C		-30...+60
Element material			Aluminium
Ingress Protection (acc. to EN 60529)			IP65

Outline dimensions in mm



Wiring



- Shielded, 4 conductor cable
- Cable diameter: Ø3mm
- Standard cable length: 0.40m
- Shield not connected to element
- Cable jacket in PVC