

Euro-CMRS Programmable Sensor Custom Micro Rotary Shafted



Eurosensor

- Micro rotary shafted sensor
- Hall Effect non-contact technology
- Long life - extremely robust
- Programmable angles from 30° up to 360°
- IP68 protection
- Selectable and customisable mounting and shaft options
- Redundant output



The Euro-CMRS angle sensor is specifically aimed at arduous high-duty cycle position feedback applications where miniaturisation is a key factor. With programmable angle selection, this compact and contactless IP68 rated Hall Effect sensor features a high grade aluminium housing with stainless steel shaft that are both mechanically customisable to suit the customer's application.

Specifications

Mechanical	
Typical Life Cycle	>50 million movements (restriction by mechanics)
Torque	< 0.8 Ncm
Measuring range	360° redundant, signal 1 cw, signal 2 ccw
Housing	High grade anodised aluminium
Shaft	Stainless steel 316
Bearing	Phosphor bronze sleeve
Recommended Mounting Bolt Torque	1.8- 2.2 Nm (may differ dependant on application)
Environmental	
Operating temperature	-40°C to +125°C (Short term 150°C)
Vibration	5...2000 Hz; Amax = 0.75 mm; amax = 20g to IEC 60068-2-6
IP rating	IP68
Electrical	
Supply Voltage	5V +/- 0.5V
Output signal	Ratiometric 5%...95% of supply (+/-25mv of specified electrical output range for both start & end voltage) PMW frequency 100Hz... 1000Hz, 1000Hz default, duty cycle between 5%-95%
Independant linearity	+/- 0.5% of each signal range
Isolation resistance	200 MΩ (500 VDC, 1 bar, 2s)
Electrical connection	See ordering code/wiring diagram
Cable type	Raychem Spec 55, 24 AWG



Ordering information

(Please use the characters in the chart below to construct your product code)

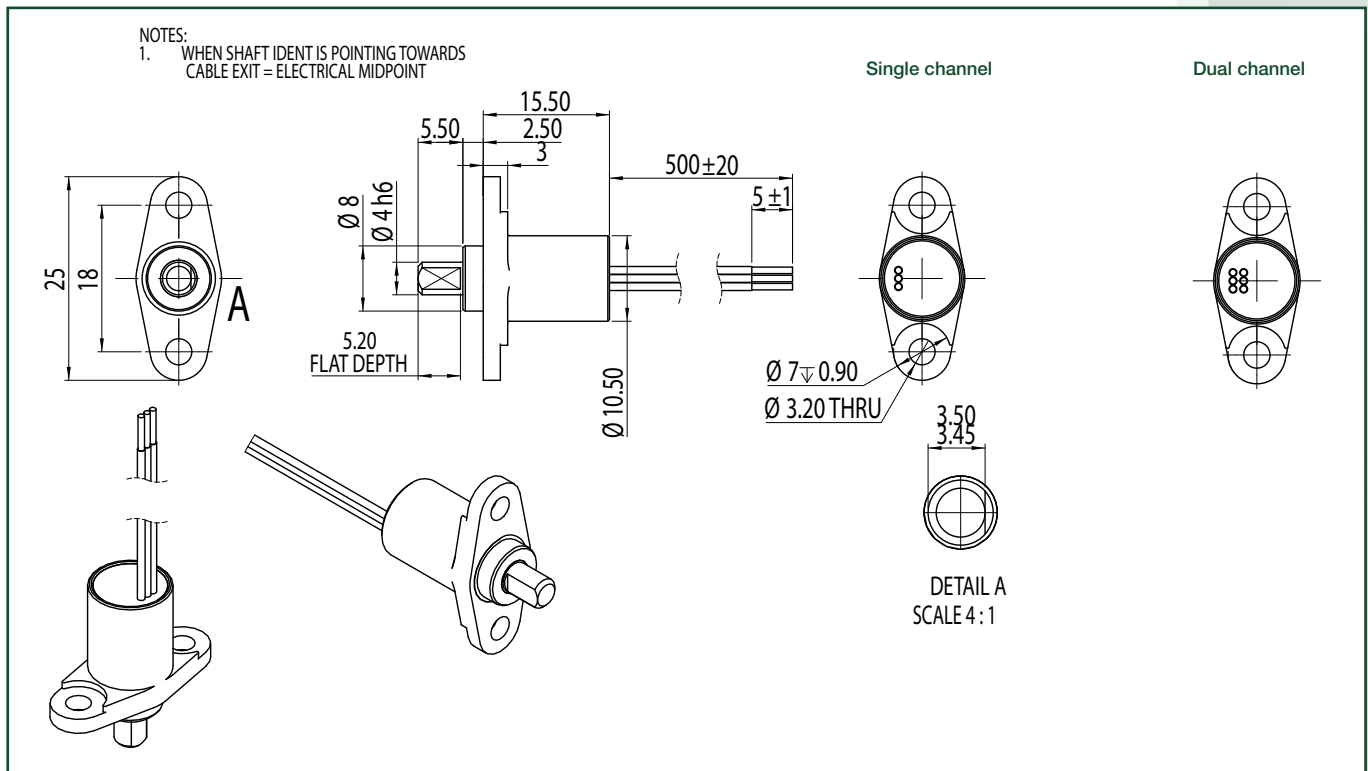
Euro-CMRS - D - 1 1 2 - 1018 - 360 - 11 78 - 50

Product Series Code	Shaft	Input Type	Output Type	Number of Channels	Mounting Flange PCD	Electrical Angle	Output Signal	Channel Direction	Cable Length
(Euro -Custom Micro Rotary Shafted)	D - Standard Male D Shaft (4mm Ø) X - Customised on request	1 - 5V Supply	1 - Analog Ratiometric 2 - PWM	1 - Single Channel 2 - Dual Channel	18 - 18 mm PCD XX - Custom on request	360 - Standard Electrical Angle 360° Optional Angle from 30° to 360° in 1° steps (e.g. 181=181°)	1 - 5% to 95% of Input Voltage 2 - 10% to 90% of Input Voltage 3 - Custom on request e.g. 11 = 5 to 95% both channels	7 - Clockwise 8 - Counter Clockwise e.g. 77 = Clockwise both channels	50 - Standard Cable Length 500mm XX - Custom on request < 1 metre XXX - Custom on request > 1 metre (Standard Cable Raychem Spec 55, 24 AWG; Others available on request)

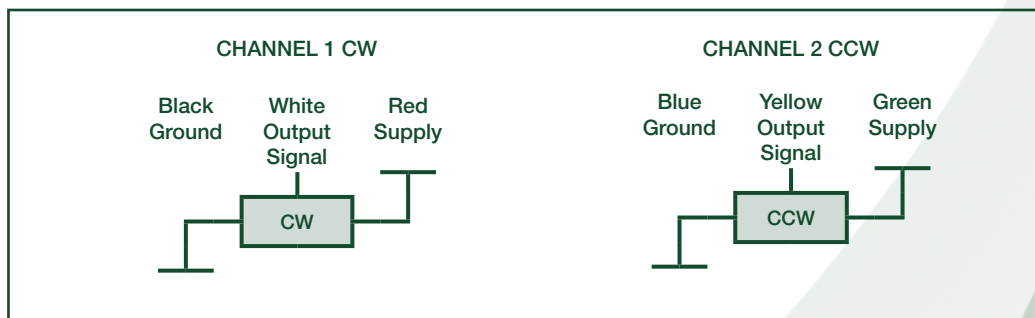


Subject to change without notice

Euro-CMRS - dimensions in mm



Wiring



ALCYON

ÉLECTRONIQUE

RD 11 – BP20 – 78650 Beynes – France

Tel : +33 (0) 134 947 700

info@alcyonelectronique.fr

Fax : +33 (0) 134 875 340

www.alcyonelectronique.fr