

ETP-AM-SP-100-PT

- Cost effective standard model
- Robust and compact design
- Fast response time
- Wide environmental temperature range

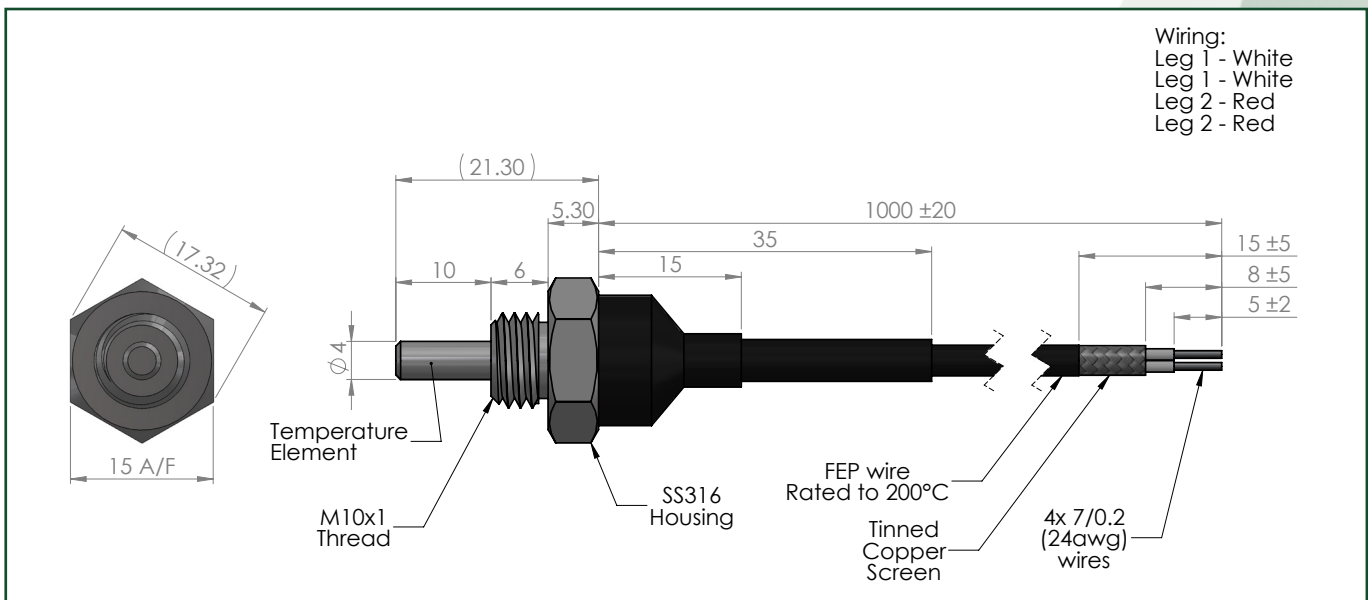


The ETP-AM-SP-100-PT temperature probe provides a cost-effective measurement solution where heat, dust and moisture are prevalent and where a compact and robust high-reliability design is required. The sensor is particularly suitable for demanding temperature monitoring applications on vehicles but with its fast response time and wide environmental temperature range, it is equally well-equipped for measurement of liquids and gases used in medical equipment, test machinery, industrial instrumentation and process control systems.

Technical information

Element:	PT100B	PT1000A	Material:	
Accuracy:	$\pm (0.3 \text{ K} + 0.005 \times t)$	$\pm (0.15 \text{ K} + 0.002 \times t)$	Housing:	316 stainless steel
Working temperature:	-55°...+180 °C, short term 230 °C		Cable:	FEP 4 core AWG24, tinned copper shield, 3,2 mm OD
Environmental temperature:	-55°...+150°C		Heat shrink:	Elastomer
Sealing:	IP67			
Response time in still water t90:	7 s			

Dimensions and wiring



Ordering Information

Order code: ETP-AM-SP-100-PT100B (93629)
 ETP-AM-SP-100-PT1000A (93637)

ALCYON
 ÉLECTRONIQUE

RD 11 – BP20 – 78650 Beynes – France
 Tel : +33 (0) 134 947 700
info@alcyonelectronique.fr
 Fax : +33 (0) 134 875 340
www.alcyonelectronique.fr