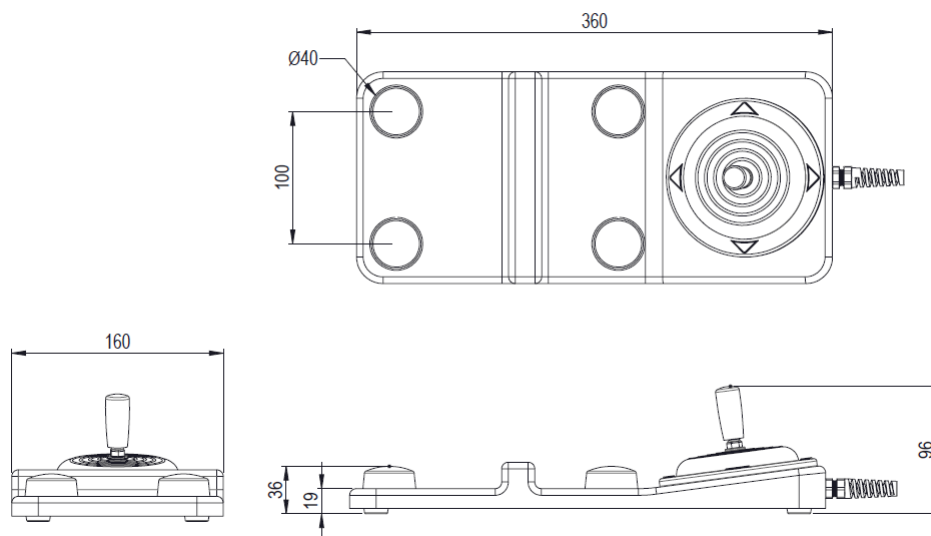


- Multi function joystick pedal with 8 functions for microscope control
- Black base with stainless steel base plate
- 4 x N/O switches (Grey) and 1 x 4 way joystick black control (up, down, left, right)
- Complete with 3 meters of cable with free wire ends
- Sealed to IP68
- Electrical rating: 50mA 24V DC



Reference dimensions mm



General specifications

Standards / Approvals Puckswitches UL 60601-1, File No E353500, IEC 60601-1, CSA C22.2 No.601.1-M90

Degree of protection IP68

Connection method 3m of cable with free wire ends

Electrical Rating 50mA 24V DC

Contact Configuration Normally open contacts

Operating temperature range +10°C to +50°C

Body material Thermoplastic

Weight 1.9 kg

Additional information Only individual buttons are approved

ALCYON
ÉLECTRONIQUE

RD 11 – BP20 – 78650 Beynes – France

Tel : +33 (0) 134 947 700

info@alcyonelectronique.fr

Fax : +33 (0) 134 875 340

www.alcyonelectronique.fr

Herga Technology Ltd - Northern Way - Bury St. Edmunds - Suffolk - IP32 6NN - UK
sales@herga.com • www.herga.com • +44 (0)1284 701422

Subject to change without notice

