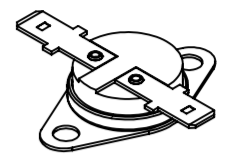


ZONE	REV.	REVISION DESCRIPTION	ECN NO.	DATE
	B	THE TITLE " 5003 SERIES GAB CONFIGURATION ENVELOPE DRAWING " WAS " 53 SERIES GAB CONFIGURATION ENVELOPE DRAWING "; JHC	ECO-207797	16-JAN-2108

NOTES:

1. USERS ARE SOLELY RESPONSIBLE FOR DESIGN APPLICATION AND FUNCTION OF THE END USE PRODUCT. USERS MUST EVALUATE THE SUITABILITY OF THESE DEVICES TO THEIR APPLICATION WITH RESPECT TO TEMPERATURE SETTINGS, MECHANICAL CYCLE LIFE, ELECTRICAL LOADING AND ENVIRONMENTAL CONDITIONS. THESE DEVICES ARE NOT INTENDED FOR USE IN APPLICATIONS WHERE EXPOSURE TO CONDENSED OR DRIPPING LIQUIDS, IMMERSION IN LIQUID, OR EXPOSURE TO OTHER ENVIRONMENTAL CONTAMINANTS MAY OCCUR
2. DIMENSIONS SHOWN ARE FOR REFERENCE ONLY
3. DISPLAYED IN THIS ENVELOPE DRAWING IS TERMINAL SELECTION "G", TERMINAL ORIENTATION "A", AND MOUNTING AND ENCLOSURE "B".



**SPECIFICATIONS**

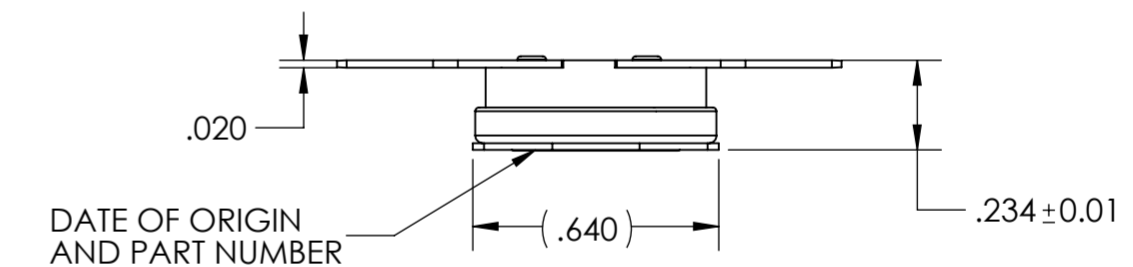
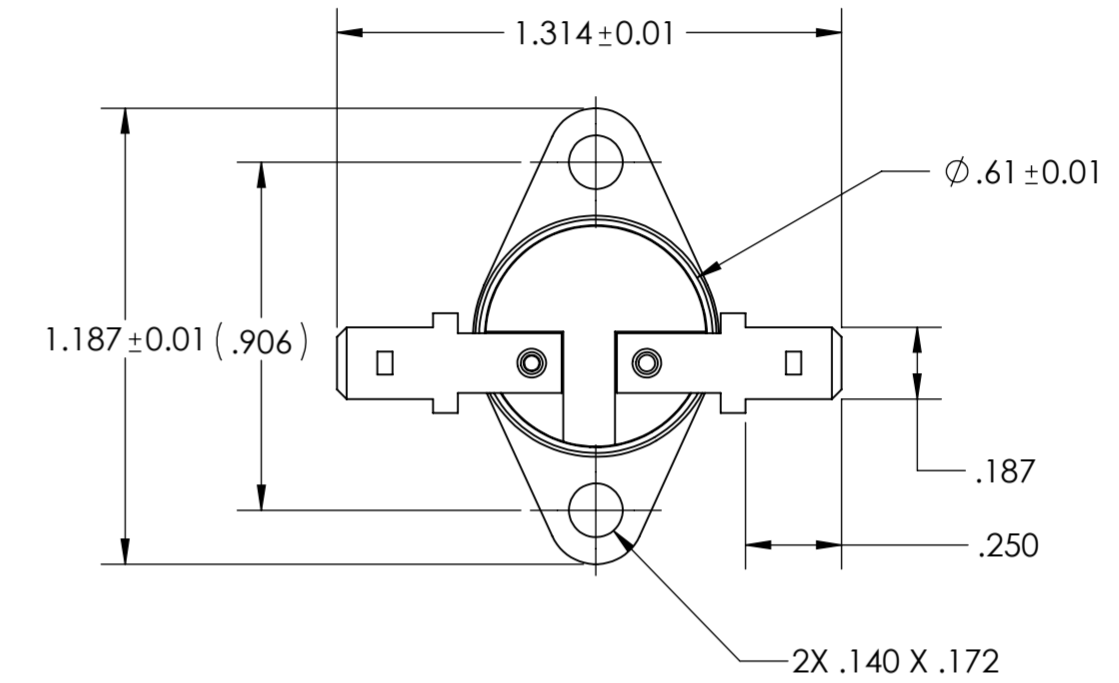
CONTACT RATINGS*:	CYCLES	VOLTAGE	AMPS (RESISTIVE)
	100,000	120 VAC	5
	100,000	240 VAC	3
	100,000	24 VDC	3
	100,000	48 VDC	1.5

ACTUATION TYPE: AUTOMATIC RESET

LONG TERM EXPOSURE: -40°F to 350°F (-40°C to 176.67°C)

DIELECTRIC STRENGTH: 1500 VRMS 60 Hz, 1 MINUTE, TERMINALS TO CASE

\*THE 5003 SERIES THERMOSTATS HAS BEEN RECOGNIZED BY UL. AGENCY RATINGS ARE PRESENTED AS A GENERAL GUIDE. HOWEVER, THE TEMPERATURE SETTINGS, MECHANICAL, ELECTRICAL, THERMAL, AND ENVIRONMENTAL CONDITIONS OF THE SPECIFIC APPLICATION MAY DIFFER SIGNIFICANTLY FROM AGENCY TEST CONDITIONS. THEREFORE, THE USER MUST NOT RELY SOLELY ON THE AGENCY RATINGS PRESENTED HERE, BUT MUST PERFORM ITS OWN TESTING OF THE PRODUCT TO CONFIRM THAT THE THERMOSTAT SELECTED WILL OPERATE AS INTENDED OVER THE USEFUL DESIGN LIFE OF THE USER'S APPLICATIONS.



EXAMPLE PART NO.  
(SEE EXPLANATION SPECIFICATION BELOW)



CONTACT OPERATION— O=OPEN ON RISE, C=CLOSE ON RISE

BASIC PRODUCT SERIES NO. TO ALL VARIATIONS

TERMINAL SELECTION

TERMINAL ORIENTATION

MOUNTING & ENCLOSURE

TOP TEMP. IN "F"

TOP TEMP. TOL. CODE (SEE CHART)

BOTTOM TEMP. IN "F"

BOTTOM TEMP. TOL. CODE (SEE CHART)

**TEMPERATURE TOLERANCE CHART**

CODE	A	B	C	D	E	F	G	H	J	K	L	M	N	P	X	Y
±°F	5	8	10	20	3	4	6	7	9	12	15	18	25	30	MAX.	MIN.
±°C	2.8	4.4	5.6	11.1	1.7	2.2	3.3	3.9	5.0	6.7	8.3	10.0	13.9	16.7	MAX.	MIN.

FOR REFERENCE ONLY, CHECK LATEST REVISION BEFORE USE. PARTS MADE TO THIS PRINT MUST CONFORM TO E9898 REV. E.		529 PLEASANT STREET P.O. BOX 2964 ATTLEBORO, MA 02703	
DRAWN R. FERNANDES DATE 20-APR-2017	SENSATA TECHNOLOGIES PROPRIETARY AND CONFIDENTIAL. NEITHER THIS PRINT NOR THE INFORMATION CONTAINED HEREON IS TO BE USED AGAINST THE INTERESTS OF SENSATA TECHNOLOGIES OR AGAINST THE INTERESTS OF ANY OF ITS AFFILIATED COMPANIES OR WHOLLY OWNED SUBSIDIARIES.	TITLE <b>5003 SERIES GAB CONFIGURATION ENVELOPE DRAWING</b>	
ENGINEER B. CURRIER DATE 20-APR-2017	INTERPRET DIMENSIONING AND TOLERANCING PER ASME Y14.5-2009. UNLESS OTHERWISE SPECIFIED DIMENSIONS ARE IN MILLIMETERS.	SIZE <b>A2</b>	DWG NO. <b>B53A0002</b>
APPROVED D. MULLEN DATE 20-APR-2017	DECIMALS X.XXX±.005	ANGLES 	REV. <b>B</b>
APPROVED R. RIVERA DATE 20-APR-2017	DO NOT SCALE DRAWING	THIRD ANGLE PROJECTION	SCALE 1:2 SOLIDWORKS SHEET 1 OF 1