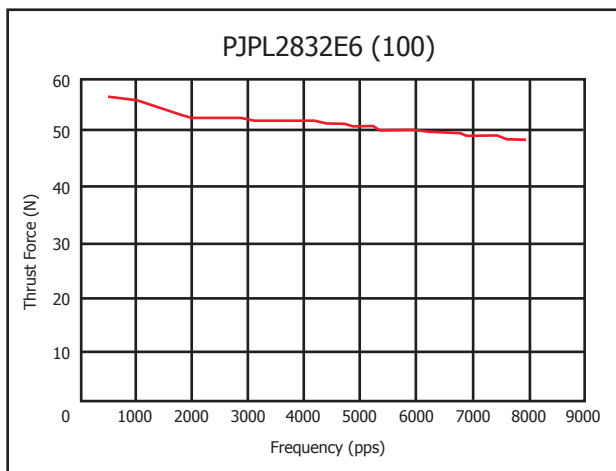


### Specifications

Specification	PJPL2832E6(100)	PJPL2832E4 (100)
Type of Winding	Unipolar	Bipolar
Excitation Mode*	Full step (2-2)	
Resolution (travel/step)	0.005mm	
Steps Per Revolution*	200	
Stroke	40mm	
Rated Voltage	2.66V	2.57V
Rated Current	0.95 A/φ	
Resistance	2.8 Ω	2.7 Ω
Inductance	1.2 mH/φ	2.1 mH/φ
Operating Temp.	-10~+50 °C	
Insulation Class	B	
Insulation Resistance	100 MΩ	
Dielectric Strength	500V (1 min.) ACV	
Weight	110 g	

### Thrust Force



Frequency (pps)	Speed (mm/sec)
100	0.5
200	1.0
300	1.5
400	2.0
500	2.5
1000	5.0
2000	10.0
3000	15.0
4000	20.0
5000	25.0

### Drive Settings

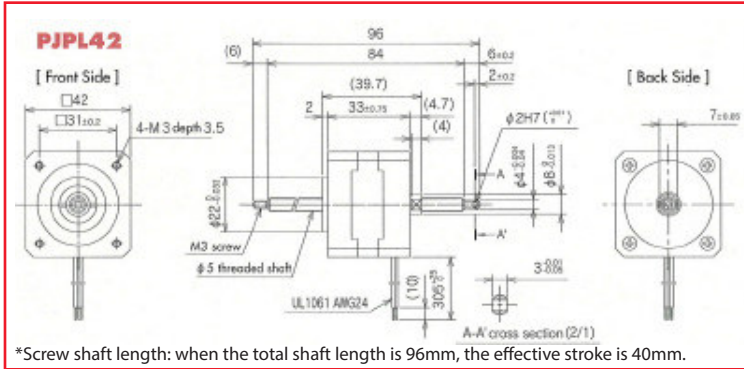
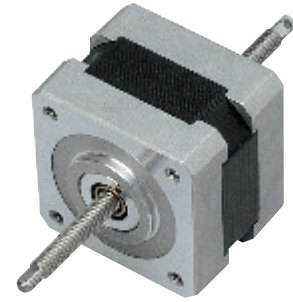
Rated Current: 0.95A  
 Winding Resistance: 2.8Ω  
 Resolution: 5μm  
 Drive Mode: Rated Current  
 Drive Condition: 24V, 2-2

### Part Numbering

PJPL 28 32 E 6 (100) -xx  
 1 2 3 4 5 6 7

1: Series Designation  
 2: Motor Size (28mm, 42mm)  
 3: Case Length (32=31.5mm, 33=33mm)  
 4: Winding (A: 2A; B: 1A; C: 0.5A; D: 1.2A; E: 0.95A)

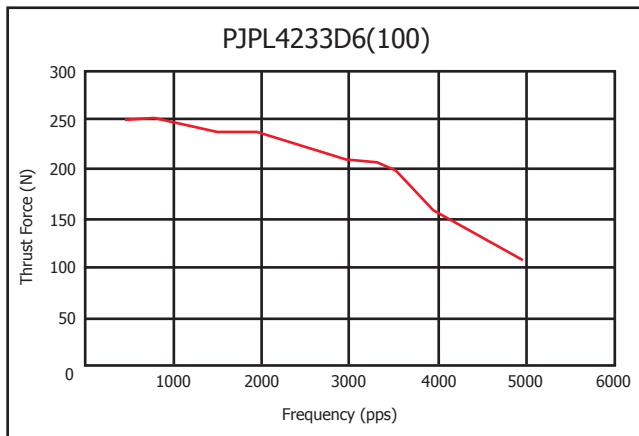
5: Lead wires (6 or 4)  
 6: Thread Pitch (100=1mm)  
 7: Custom Motor Indicator



### Specifications

Specification	PJPL4233D6(100)	PJPL4233D4 (100)
Type of Winding	Unipolar	Bipolar
Excitation Mode*	Full step (2-2)	
Resolution (travel/step)	0.005mm	
Steps Per Revolution*	200	
Stroke	40mm	
Rated Voltage	2.8V	2.5V
Rated Current	1.2 A/φ	
Resistance	2.3 Ω	2.1 Ω
Inductance	2.1 mH/φ	3.0 mH/φ
Operating Temp.	-10~+50 °C	
Insulation Class	B	
Insulation Resistance	100 MΩ	
Dielectric Strength	500V (1 min.) AC V	
Weight	200 g	

### Thrust Force



Frequency (pps)	Speed (mm/sec)
100	0.5
200	1.0
300	1.5
400	2.0
500	2.5
1000	5.0
2000	10.0
3000	15.0
4000	20.0
5000	25.0

### Drive Settings

Rated Current: 1.2A  
Winding Resistance: 2.3Ω  
Resolution: 5μm  
Drive Mode: Rated Current  
Drive Condition: 24V, 2-2

### Part Numbering

PJPL 42 33 D 6 (100) -xx  
1 2 3 4 5 6 7

1: Series Designation  
2: Motor Size (28mm, 42mm)  
3: Case Length (32=31.5mm, 33=33mm)  
4: Winding (A: 2A; B: 1A; C: 0.5A; D: 1.2A; E: 0.95A)

5: Lead wires (6 or 4)  
6: Thread Pitch (100=1mm)  
7: Custom Motor Indicator



Nippon Pulse's PJPLT Series motor is a low-friction, high-efficiency motor that works quickly. They feature built-in ball screws and function in a wide variety of applications.



**Features:**

- Compact cylinder with 2-phase hollow stepper with built-in ball screw
- Multiple types of screw shafts and lead combinations available
- Two motor sizes: 28mm and 42mm
- Anti-rotational options available



**Rolled Ball Screw (R) Specifications**

Size	Lead (mm)	Travel/Step (mm)	Repeatability (mm)	Lost Motion (mm)	Thrust (N)	Effective Stroke
PJPL28T	1	5	±0.010	0.020	50	40
	2	10			25	80
PJPL42T	1	5			80	50
	2	10			80	100

**Coil Winding Options and Specifications**

Size	Coil	Lead	Rated Voltage	Winding Resistance	Rated Current
28 × 32	E4	Bipolar	3.8 V	5.6 Ω	0.67 A
42 × 34	D4	4-lead	2.5 V	2.1 Ω	1.2 A

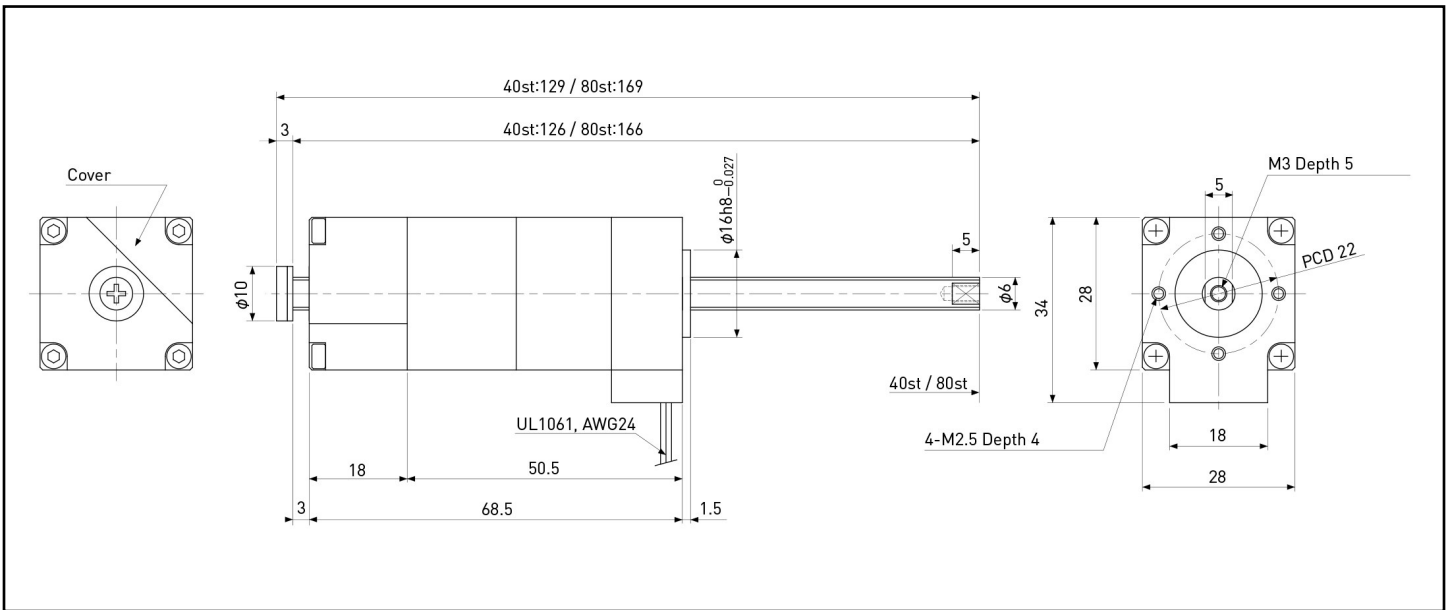
**Part Numbering**

PJPL 42 T 73 D 4 A XXX R  
1 2 3 4 5 6 7 8

- 1: Series Designation
- 2: Motor size (28mm or 42mm)
- 3: Motor length (in mm)
- 4: Coil type

- 5: # of lead wires
- 6: Full threaded shaft
- 7: Pitch
- 8: Rolled ball screw

## PJPL28T Dimensions



## PJPL42T Dimensions

