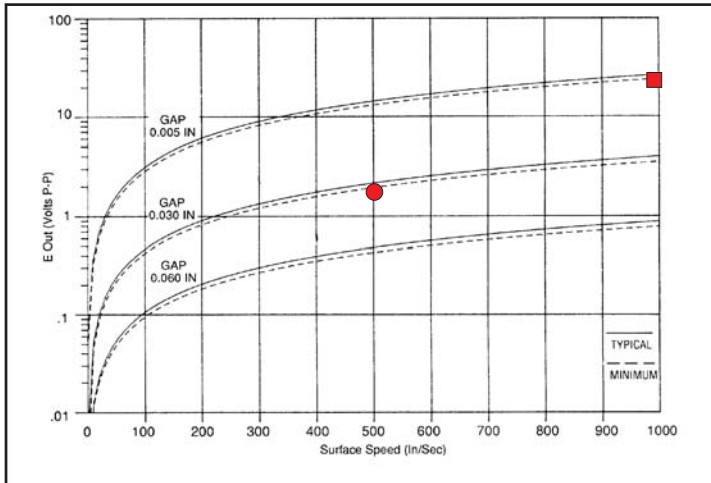


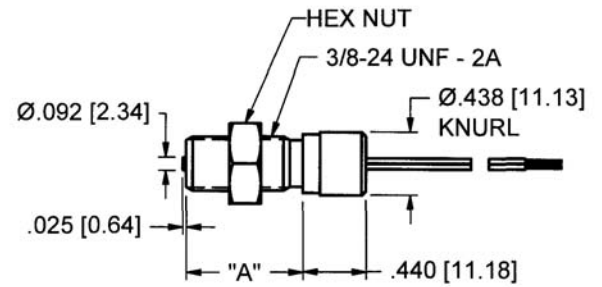
General Purpose - High Temperature

Ordering Part #	Thread Length (A)
70085-1010-041	.812 (20.62)
70085-1010-428	1.500 (38.10)
70085-1010-458	3.625 (92.08)

Performance Curves



Based on 20 D.P. Gear



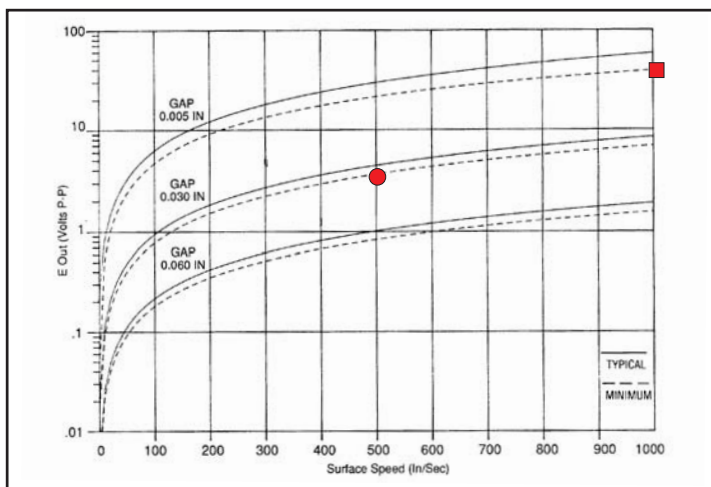
Specifications:

- Output Voltage (Standard): 24 V (P-P)
- Output Voltage (Guarantee Point): 2.0 V (P-P)
- DC Resistance: 125 ohms max.
- Typical Inductance: 21 mH ref.
- Output Polarity: White lead positive
- Operating Temperature: -73 to +232°C
- Lead Length: 40 in (1 m)
- Net Weight: 2 oz. max.

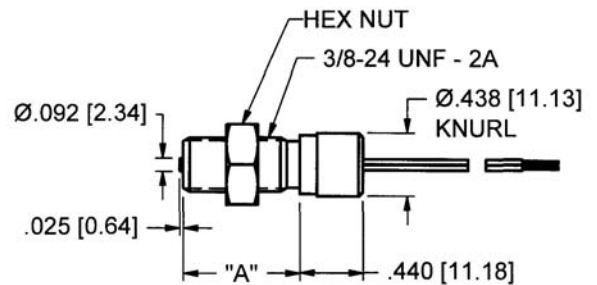
High Sensitivity - High Temperature

Ordering Part #	Thread Length (A)
70085-1010-174	.812 (20.62)

Performance Curves



Based on 20 D.P. Gear



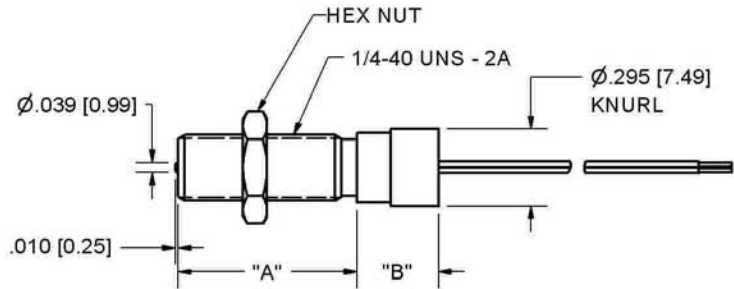
Specifications:

- Output Voltage (Standard): 55 V (P-P)
- Output Voltage (Guarantee Point): 3.6V (P-P)
- DC Resistance: 705 ohms max.
- Typical Inductance: 150 mH ref.
- Output Polarity: White lead positive
- Operating Temperature: -65 to +220°C
- Cable Length: 60 in (1.5 m)
- Net Weight: 2 oz. max.

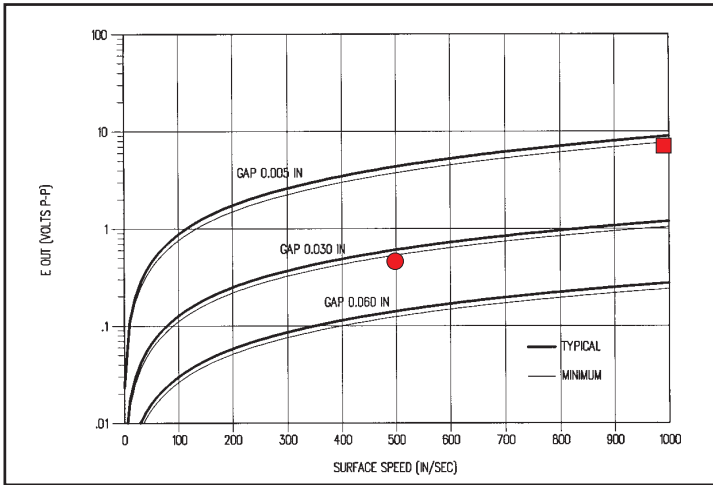
Dimensions in inches and (mm).

General Purpose - High Temperature

Ordering Part #	Thread	Length (A)	(B)
70085-1010-024	.687	(17.45)	.313 (7.95)
70085-1010-472 *	.687	(17.45)	.500 (12.70)
70085-1010-227	1.687	(42.85)	.313 (7.95)



Performance Curves



Based on 20 D.P. Gear

Specifications:

- Output Voltage (Standard): 4.7 V (P-P)
- Output Voltage (Guarantee Point): 0.4 V (P-P)
- DC Resistance: 125 ohms max.
- Typical Inductance: 5-12 mH ref.
- Output Polarity: White lead positive
- Operating Temperature: -73 to 232°C
- Lead Length: 8 in (20.3 cm)
- Cable Length: -472, 60 in (1.5 m) *
- Net Weight: 2 oz. max.

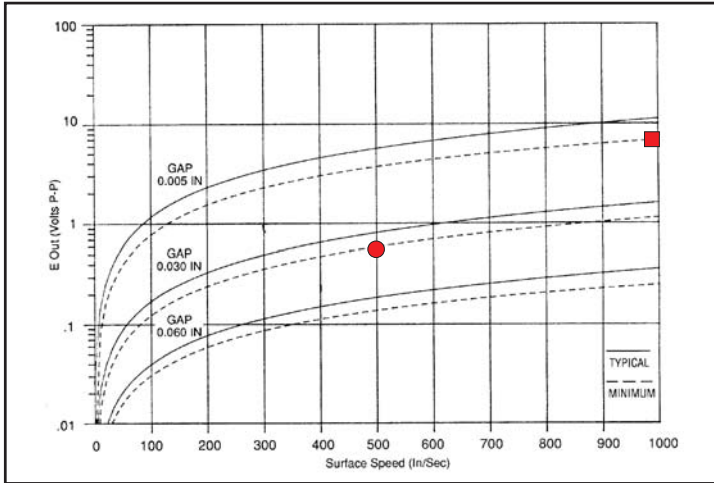
* Egress is a 2-conductor, AWG #26, shielded, Teflon cable, with 3" long shrink tubing over housing and cable for extra protection. Extra locknut provided.

Dimensions in inches and (mm).

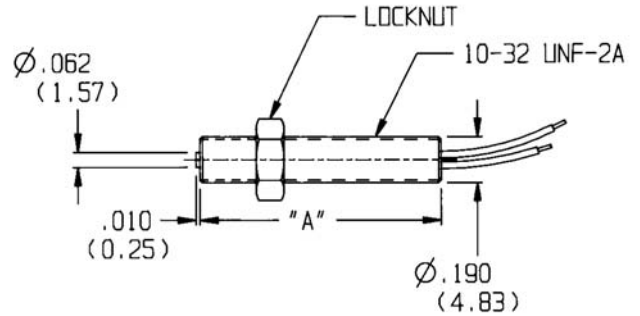
High Sensitivity

Ordering Part #	Thread Length (A)
70085-1010-037	.500 (12.70)
70085-1010-299	1.250 (31.75)

Performance Curves



Based on 20 D.P. Gear



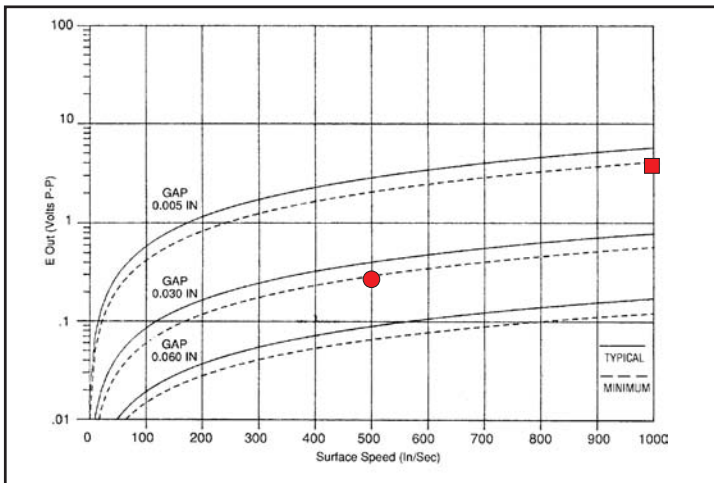
Specifications:

- Output Voltage (Standard): 13 V (P-P)
- Output Voltage (Guarantee Point): .6 V (P-P)
- DC Resistance: 190 ohms max.
- Typical Inductance: 10 mH, ref.
- Output Polarity: White lead positive
- Operating Temperature: -55 to +107°C
- Lead Length: 18 in (45.7 cm)
- Net Weight: 1 oz. max.

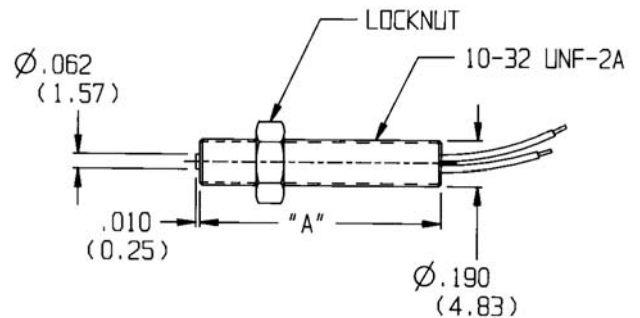
General Purpose – High Temperature

Ordering Part #	Thread Length (A)
70085-1010-182	.500 (12.70)
70085-1010-289	1.250 (31.75)

Performance Curves



Based on 20 D.P. Gear



Specifications:

- Output Voltage (Standard): 6 V (P-P)
- Output Voltage (Guarantee Point): .3 V (P-P)
- DC Resistance: 50 ohms max.
- Typical Inductance: 2 mH, ref.
- Output Polarity: White lead positive
- Operating Temperature: -73 to +150°C
- Lead Length: 18 in (45.7 cm)
- Net Weight: 1 oz. max.

AI-Tek Instruments, Cheshire, CT USA

Dimensions in inches and (mm).