

62xx-OB Foot Bellows

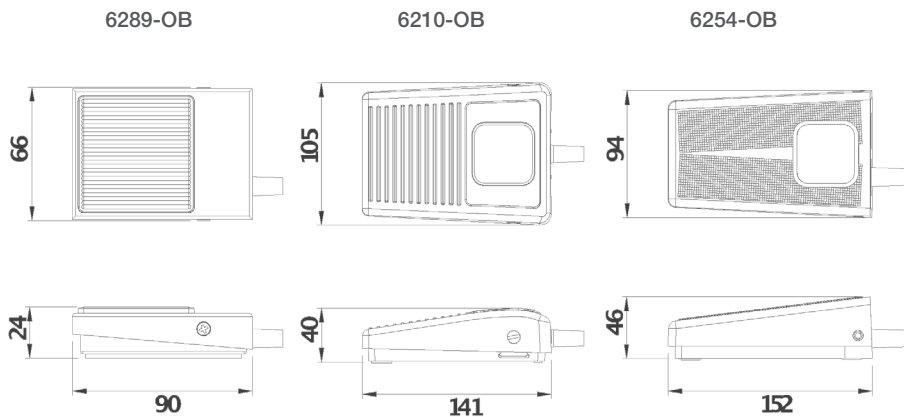
herga

Technology Ltd

- 6289 compact, robust construction with colour options available upon request
- 6254 aluminium construction for harsh environments with strong conduit tubing
- 6210 tough reinforced plastic construction with light, easy operation



Reference Dimensions mm



Specifications

Standards/approvals	N/A	Electrical rating	N/A
Degree of protection	EN 60529 IPX2	Contact configuration	N/A
Connection method	See table below	Operating temperature range	-10°C to +40°C
Pressure range	Works with 6871, 6872, 6773, 6753, 6891, 6893, 6861, 6862, 6863, 6864, 6869 - dependent on tube length	Body material	See table below
		Weight	See table below

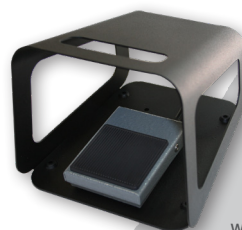
62xx-OB - Range options and specifications

Model No	6289-OB	6210-OB	6254-OB
Weight approx.	0.25kg	0.2kg	0.475kg
Optional black guard	on request		
Air connection	complete with 2m tube (black) with 3mm I/D		complete with 2m tube (black) with 3mm I/D & armor flex covering
Alternative air connection	see note below*		
Material: body / base	16 SWG mild steel, powder coat grey hammertone	thermoplastic	die-cast aluminium, powder coat black

* 3mm I/D & 6mm O/D, which are available in different length

Accessories

Part Number	Description
6202-001	Single Black RAL 9005 guard
6202-002	Single Grey RAL 7035 guard
6202-003	Twin Grey RAL 7035 guard



With 6202 Guard



ALCYON
ÉLECTRONIQUE

RD 11 - BP20 - 78650 Beynes - France
Tel : +33 (0) 134 947 700
info@alcyonelectronique.fr
Fax : +33 (0) 134 875 340
www.alcyonelectronique.fr

Herga Technology Ltd - Northern Way - Bury St. Edmunds - Suffolk - IP32 6NN - UK
sales@herga.com • www.herga.com • +44 (0)1284 701422

Subject to change without notice