

6223 Leptron Foot/Palm Switches

herga

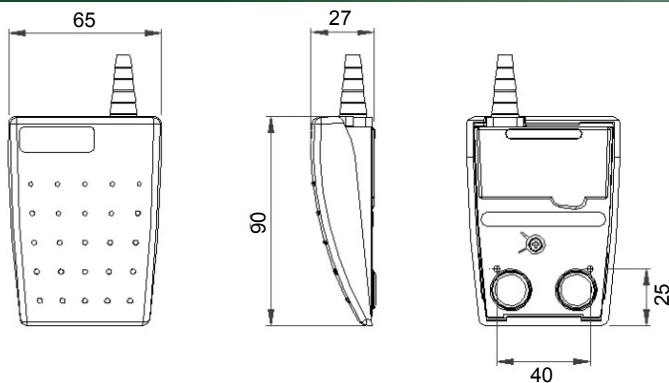
Technology Ltd

For IPX2 single pole switching

- Low profile switch designed for improved user comfort
- All plastic construction with raised tread pattern, ideal for palm or foot operation
- Versatility and innovative design make it an ideal product for OEM use
- Switches designed to meet medical, industrial/office/commercial standards
- Option for customers to fit own cables



Outline dimensions



General specifications

Standards/approvals	Footswitch: EN 60950, EN 60601-1:2006, UL 60601-1:2005, ANSI/AAMI ES60601-1:2005/(R)2012, CSA-C22.2 No 60601-1:14, UL File N° E353500 Microswitch: EN 61058-2-1, EN 61058	Operating temperature range	-5°C to +40°C
Degree of protection	EN 60529 IPX2	Body material	Thermoplastic
Connection method	Stripped cable cores or connector of your choice	Weight	0.212Kg (including cable)
Electrical rating	See table page 2	Additional information	Customized versions available (logos, cordsets, colours, guards)
Contact configuration	SPST N/O, SPST N/C, SPCO		



6223: Ordering and options

6223 - [] [] [] B - [] [] [] - [] [] 0 0

Model

Cover & base colours

- | | | | |
|---|---------------------------|---|--------------------------|
| A | Black cover & Black base | F | Black cover & Grey base |
| B | Grey cover & Black base | G | Grey cover & Grey base |
| C | Yellow cover & Black base | H | Yellow cover & Grey base |
| D | Green cover & Black base | J | Green cover & Grey base |
| L | Blue cover & Black base | M | Blue cover & Grey base |

Base configuration

- A Base fitted with M3 brass inserts / no guard fitted
 Z No inserts or guard fitted

Switching operation

- A SPST N/O
 B SPCO
 E SPCO switch supplied without cable

Approvals

- B IEC 60601-1 and UL 60601-1

IEC 60601-1 & UL 60601-1, 2 and 3 core cordsets

- | | | | |
|------|--|------|--|
| AZAZ | 2-core grey, silver contacts, 1.75A 24V | ZAZA | 3-core grey, silver contacts, 1.75A 24V |
| BZBZ | 2-core grey, gold contacts, 0.1A 24V | ZBZB | 3-core grey, gold contacts, 0.1A 24V |
| CZCZ | 2-core black, silver contacts, 1.75A 24V | ZCZC | 3-core black, silver contacts, 1.75A 24V |
| DZDZ | 2-core black, gold contacts, 0.1A 24V | ZDZD | 3-core black, gold contacts, 0.1A 24V |
| EZEZ | 2-core grey screened, silver contacts, 1.75A 24V | ZEZE | 3-core grey screened, silver contacts, 1.75A 24V |
| FZFZ | 2-core grey screened, gold contacts, 0.1A 24V | ZFZF | 3-core grey screened, gold contacts, 0.1A 24V |
| | | ZZZZ | No option chosen |

Non cable variants, customer fitted cables, IPX2 components

- A Microswitch fitted; SPCO 16A 24V, silver contacts 6.3mm x 0.8 mm push-on tag
 C Microswitch fitted; SPCO 16A 24V, silver contacts 6.3mm x 0.8 mm solder tag
 D Microswitch fitted; SPCO 0.1A 24V, gold contacts 6.3mm x 0.8 mm solder tag
 Z No option chosen

Special attributes

- Customer specified/supplied cordset for factory fitting with or without plug
 Customer specified identification and label combination - the suitability may not be covered by UL
 Guard fitted
 Cable length variation if different from 2m
 Z indicates no option provided



RD 11 – BP20 – 78650 Beynes – France

Tel : +33 (0) 134 947 700

info@alcyonelectronique.fr

Fax : +33 (0) 134 875 340

www.alcyonelectronique.fr