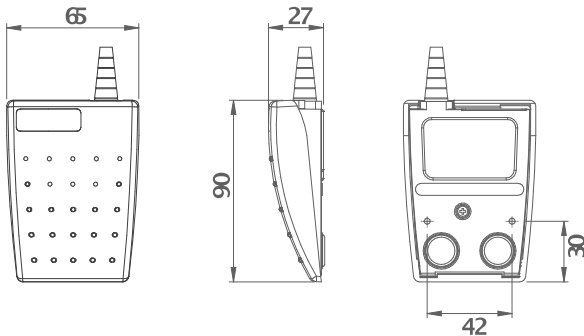


For IPX7 and Double Pole Switching

- Low profile switch designed for improved user comfort
- All plastic construction with raised tread pattern, ideal for palm or foot operation
- Choice of operating force
- Versatility and innovative design make it an ideal product for OEM use
- Switches are designed to meet industrial and office/commercial standards (for medical approval, see 6224)
- Option for customers to fit own cables



Reference dimensions



General specifications

Standards/approvals	Footswitch: low voltage directive 2014/35/EU, EN 60950 Microswitch: EN 61058-2-1, EN 61058
Degree of protection	EN 60529 IPX7 (IPX8 upon request)
Connection method	Stripped cable cores or connector of your choice
Electrical rating	See ordering information
Contact configuration	SPST N/O, SPST N/C, SPCO
Pressure range	n/a

Operating temperature range	-5°C to +40°C
Body material	Thermoplastic
Weight	0.212Kg (including cable)
Additional information	Customized versions available (logos, cordsets, colours, guards)

ALCYON

ÉLECTRONIQUE

RD 11 – BP20 – 78650 Beynes – France

Tel : +33 (0) 134 947 700

info@alcyonelectronique.fr

Fax : +33 (0) 134 875 340

www.alcyonelectronique.fr

For IPX7 and Double Pole Switching

Ordering and options

6221 - -

Model

Cover and base colour options

- A Black cover & black base
- B Grey cover & black base
- C Yellow cover & black base
- D Green cover & black base
- E Red cover & black base
- F Black cover & grey base
- G Grey cover & grey base
- H Yellow cover & grey base
- J Green cover & grey base
- K Red cover & grey base
- L Blue cover & black base

Base configuration

- A Base filled with M3 brass inserts
- Z No inserts in base - can be mounted using self tapping screws

Pedal operation

- A Light, suitable for hand operation
- B Heavy, suitable for foot operation

Switch action

- A SPST N/O
Choose 2-core cordset from 2- & 3-core cordset section
- B SPNO
Choose 3-core cordset from 2- & 3-core cordset section
- C DPST N/O
Choose 4-core cordset from either 4-core cordset section

Only one cordset selection can be made from 1 of the next 4 sections, enter Z - for no option chosen for the remaining sections

Cordset sealed to IPX7 (BS EN 60529)

- Z No option chosen

4-core cordset sealed to IPX7 (BS EN 60529)

- A 3A 24V AC/DC, 0,5mm² 4-core black cable, 2 m long, ends stripped 30 mm
- B 3A 250V AC/DC, 0,5mm² 4-core black cable, 2 m long, ends stripped 30 mm
- C 0.1A 24V AC/DC (gold contact) 0,5mm² 4-core black cable, 2 m long, ends stripped 30 mm
- Z No options chosen

2- & 3-core Cordset sealed to IPX7 (BS EN 60529) (IP68 on)

- A 3A 24V AC/DC, 0,75mm² 2-core black cable, 2 m long, ends stripped 30 mm
- B 3A 250V AC/DC, 0,75mm² 2-core black cable, 2 m long, ends stripped 30 mm
- C 0.1A 24V AC/DC (gold contact) 0,75mm² 2-core black cable, 2 m long, ends stripped 30 mm
- D 3A 24V AC/DC, 0,5mm² 3-core black cable, 2 m long, ends stripped 30 mm
- E 3A 250V AC/DC, 0,5mm² 3-core black cable, 2 m long, ends stripped 30 mm
- F 0.1A 24V AC/DC (gold contact) 0,5mm² 3-core black cable, 2 m long, ends stripped 30 mm
- Z No options chosen

4-core cordset sealed to IPX7 (BS EN 60529)

- A 3A 24V AC/DC, 0,75mm² 4-core black cable, 2 m long, ends stripped 30 mm
- B 3A 250V AC/DC, 0,75mm² 4-core black cable, 2 m long, ends stripped 30 mm
- C 0.1A 24V AC/DC (gold contact) 0,75mm² 4-core black cable, 2 m long, ends stripped 30 mm
- Z No options chosen