



## LOW RANGE HIGH LINE DIFFERENTIAL PRESSURE TRANSDUCER

### MODEL 216 / 316

#### FEATURES:

- 2.5" WCD thru 200 PSID (14 BAR)
- Up to 5K PSI (345 BAR) line pressure options available
- Up to  $\pm 0.05\%$  FSO accuracy
- Unidirectional and bidirectional outputs
- Wet/wet design
- All welded 316L stainless steel wetted parts
- Compact size

#### APPLICATIONS:

- Automotive test stands
- Leak decay
- In-laboratory R&D
- Energy management
- Emissions management
- HVAC

#### PRODUCT OVERVIEW:

The Model 216/316 from GP:50 is a family of low range, high line, differential pressure transducers. Their compact design incorporates GP:50's own digital correction circuit technology, for high accuracy and extended service life across a variety of applications.

#### FIELD OPTIONS:

- Wide selection of process and electrical connections
- Submersible options (Meets IP67)
- Alternate wetted materials
- Custom calibrations



Model 216 / 316  
Low Range High Line  
Differential Pressure Transducer  
(Shown with LB option)

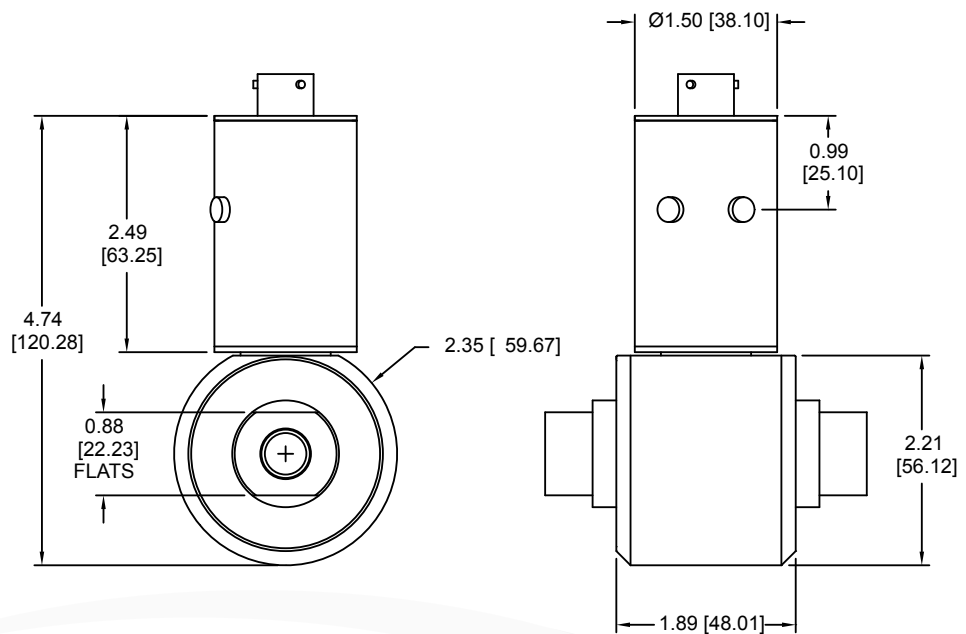
# GP:50 MODEL 216 / 316

## DIMENSIONAL DRAWING

All dimensions are in inches (mm)

### STANDARD WIRING

PIN	MODEL 216	MODEL 316
1/RED	+EXC	+EXC/SIG
2/GRN	+SIG	N/C
3/WHT	N/C	N/C
4/BLK	-EXC/SIG	-EXC/SIG
5/BLU	N/C	N/C
6/BRN	N/C	N/C
SHIELD	OPEN	OPEN



## REFERENCE SPECIFICATIONS

ELECTRICAL
<ul style="list-style-type: none"> <li>Excitation Voltage: 8.0 to 32 Vdc</li> </ul>
<ul style="list-style-type: none"> <li>Output Signal (at +70 °F): (Model 216) 0 to 5 Vdc, 0 to 10 Vdc (Model 316) 4-20 mA</li> </ul>
<ul style="list-style-type: none"> <li>Load Impedance: (Model 316) 750 Ω maximum (Model 216) ≤ 10K Ω</li> </ul>
<ul style="list-style-type: none"> <li>Zero/span adjustable to ±10%</li> <li>Connection: 36" long PVC jacketed, 18 AWG, 4 conductor cable (or equivalent)</li> <li>Response Time: Typ 35 ms for 90% FSO</li> <li>Resolution: infinite</li> </ul>
MATERIALS OF CONSTRUCTION
<ul style="list-style-type: none"> <li>Wetted Parts: 316 stainless steel (Hastelloy available)</li> <li>Housing: 316L stainless steel</li> </ul>
STATIC ACCURACY (HYSTERESIS, NON-LINEARITY & REPEATABILITY @ +70 °F)
<ul style="list-style-type: none"> <li>±0.5% FSO standard</li> <li>Improved ±0.2, ±0.1, or ±0.05% FSO</li> </ul>

**Standard configurations shown.  
Please consult factory for other options.**

MECHANICAL
<ul style="list-style-type: none"> <li>Process Connection: 1/4" NPT (F)</li> <li>Proof Pressure: 500 PSI (35 BAR) single ended</li> <li>Burst Pressure: 750 PSI (52 BAR) for welded port; 2.5K PSI (172 BAR) w/Flanges</li> <li>Static Line Pressure: Std Flanges: 2K PSI (138 BAR) Optional Flanges: 5K PSI (345 BAR) Model 7450 Welded Ports: 500 PSI (35 BAR)</li> <li>Orientation shift (90°): Typ 10-20%, Range Dependent</li> <li>Silicone oil filled (Krytox and other options available)</li> <li>Approximate weight: 2.0 lbs (0.06 kg)</li> <li>Environmental: Designed to IP67 (some options may affect this)</li> </ul>
PRESSURE RANGES
<ul style="list-style-type: none"> <li>2.5" WCD thru 200 PSID (alternate ranges available)</li> </ul>
THERMAL SPECIFICATIONS
<ul style="list-style-type: none"> <li>Compensated Range: +32 °F to +180 °F (0 °C to +82 °C)</li> <li>Operating (ambient): 0 °F to +185 °F (-17 °C to +85 °C) (Unit will operate to -40 deg F with delayed response time)</li> <li>Zero Balance and Span: Adjustable</li> <li>Zero &amp; Span shift: (Based on Accuracy) Std on 0.50% &amp; 0.20%: ±1.0% FSO/100 °F Std on 0.10%: ±0.50% FSO/100 °F Std on 0.05%: ±0.30% FSO/100 °F</li> </ul>

All specifications are for reference purposes only. In the interests of continuous product improvement, all specifications are subject to change without notice. Please contact GP:50 for assistance with your application.

© 2014 GP:50 NY Ltd. | 2770 Long Rd, Grand Island, NY 14072 USA

Tel: +1.716.773.9300 Fax: +1.716.773.5019 Email: sales@gp50.com Web: www.gp50.com

